

XD-Indexer Servo Drive System Components

The XD-Series Indexer, a single axis integrated controller and servo drive delivers high performance motion control. Typical system components:

Servo Drive

- DC Power supply & cables
- Input power & cables
- Optional
 - E-Stop device
 - Regen resistor (SAC-SWRR)
 - Line Filter (SAC-LF)

Servo Motor (MAC-M)

- Power cable
- Feedback cable

Pacer Encoder (optional)

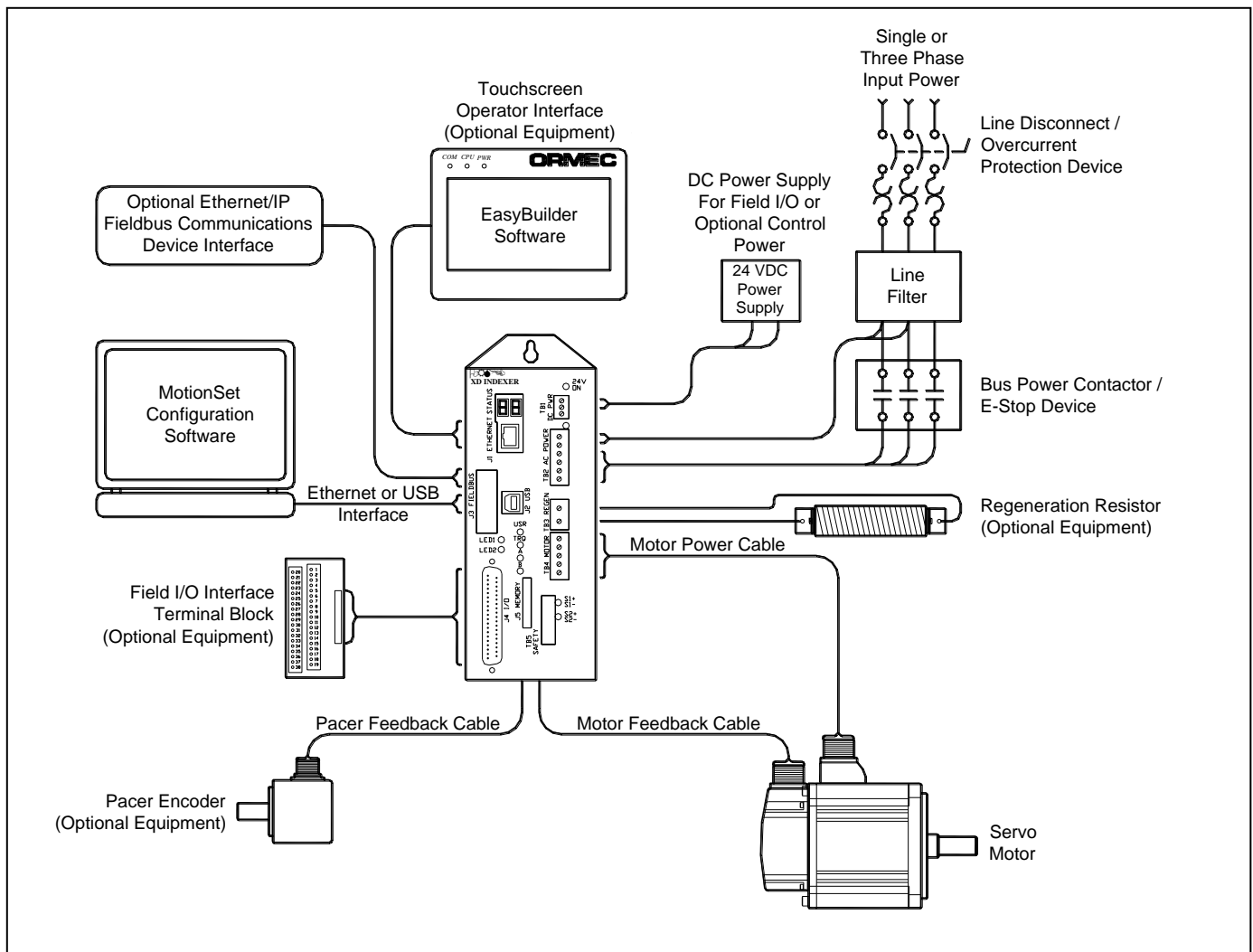
- Pacer cable

PC for Configuration Software

- Ethernet interface (preferred) or USB interface
- Motion Set software included

Operator Interface (HMI)

- MMI-8000 series
- Easy Builder software included
- Ethernet crossover cable



Ordering Guidelines

Application description:

Motor

Voltage/Current

- 230 VAC motor requires Indexer 200V series at ____ amps
- 460 VAC motor requires Indexer 400V series at ____ amps
- ORMEC Model MAC-M _____ - _____
- Other motor. Make and model _____
- Cable for power
- Cable for feedback

XD Indexer

Options

Feedback

- Encoder, Quadrature, Sigma II, Tamagawa, TS56xx
- EnDat 2.1, 18 bit

DC/AC Logic for Control power

- 115/230 AC Indexer model XD__ __ __ - __ A
- 24 VDC Indexer model XD__ __ __ - __ D

Pacer

- none
- include

Fieldbus Protocol

- MODbus/TCP (included)
- Ethernet/IP

Regen

- none
- include

Safety

- none
- include

Indexer base part number: SAC-XD _ _ _ - _ _ _ _ _

I/O connections

- Terminal block plugs on Indexer. Order CON -1110
- Only a few connections. Recommend CBL-XD-I/O-1-n. Replace n with number of positions.
- Most or all connections. Recommend CBL-XD-I/O-1-37.
- I/O power supply. 1A included with Indexer with AC control power.

HMI

- MMI-8 _ _ _ Screen size _____