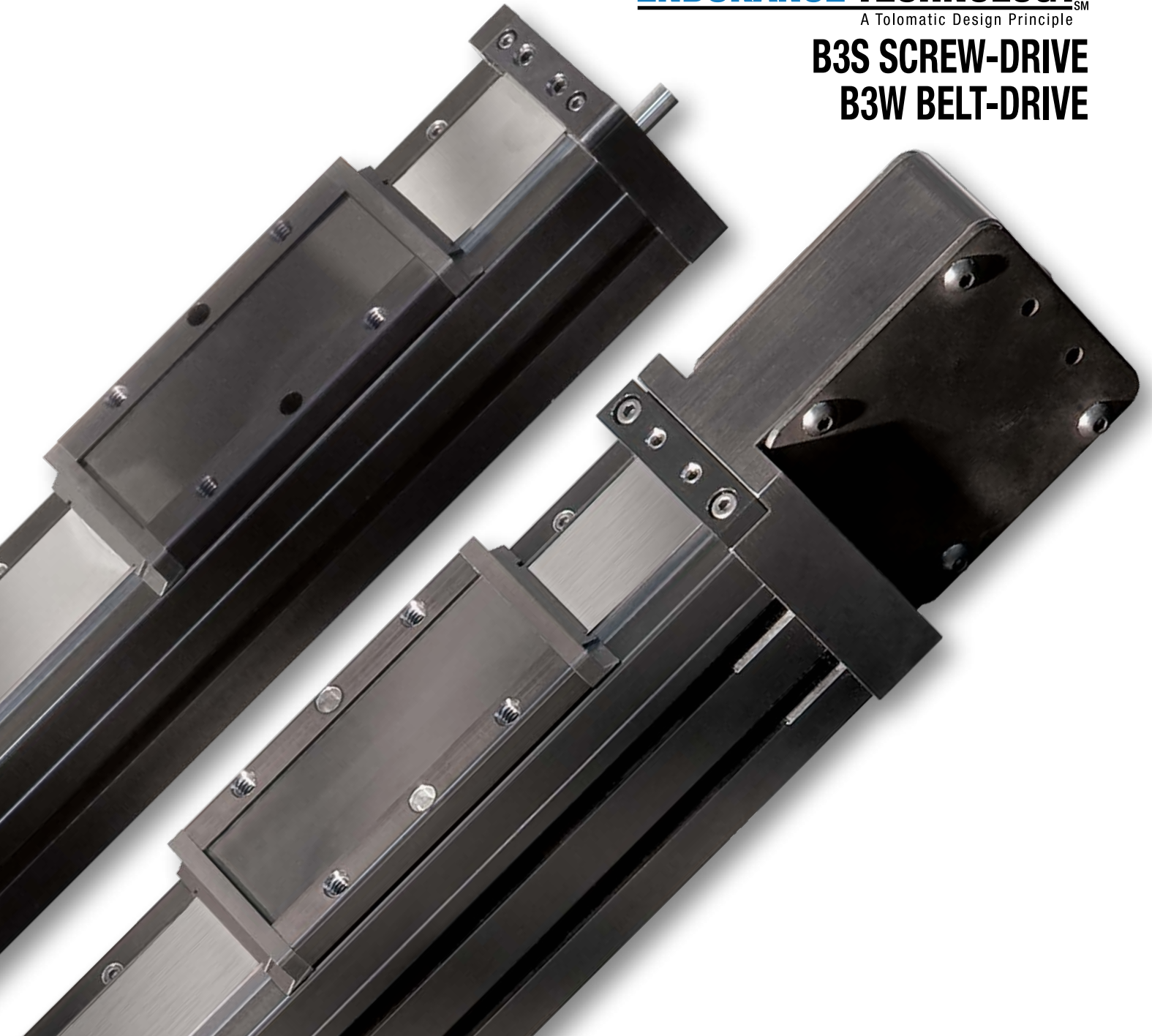


B3S & B3W ELECTRIC RODLESS ACTUATORS

ENDURANCE TECHNOLOGYSM

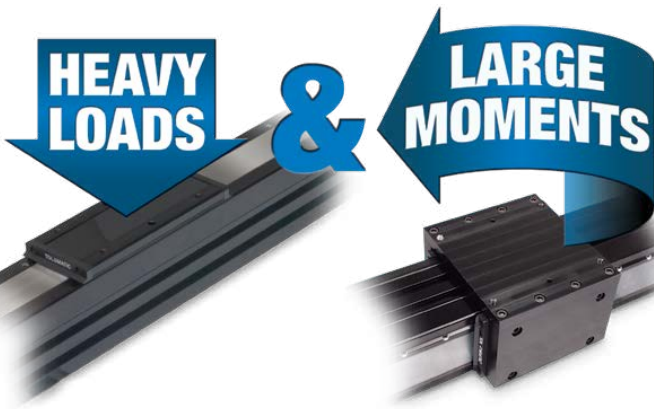
A Tolomatic Design Principle

B3S SCREW-DRIVE
B3W BELT-DRIVE



LINEAR SOLUTIONS MADE EASY

Tolomatic B3S & B3W Electric Rodless Actuators



The Power to Move Heavy Loads

The B3S and B3W electric rodless actuators have very large moment and load carrying capacities. The sealed recirculating ball bearing design makes it an excellent choice for challenging environments. For even higher capacity (loads up to 3,629 kg.) choose the Dual 180° Carrier and add an auxiliary carrier. Both actuators utilize a patented internal re-circulating ball bearing guidance system that provides extremely long life. These actuators are capable of carrying loads up to 3,629 kg [8,000 lbs].

A COMPARISON OF SCREW DRIVE ACTUATORS

	TRS	B3S	MXE-S	MXE-P
Features:	Dual profile rail bearing actuator	High load and bending moment capacities	Basic guidance and support	High load and bending moment capacities
Load up to: (with options)	6.0 kN [1,356 lbf]	35.6 kN [8,000 lbf]	4.6 kN [1,040 lbf]	11.5 kN [2,584 lbf]
Thrust up to:	2.5 kN [562 lbf]	12 kN [2,700 lbf]	19.1 kN [4,300 lbf]	19.1 kN [4,300 lbf]
Speed up to:	0.91 m/sec [36 in/sec]	1.5 m/sec [60 in/sec]	1.5 m/sec [60 in/sec]	1.5 m/sec [60 in/sec]
Stroke Length up to:	1.1 m [43 in]	4.5 m [179 in]	4.5 m [178 in]	4.5m [178 in]
Screw/Nut Type	Solid & Ball	Solid & Ball	Solid & Ball	Solid & Ball
www.tolomatic.com for complete information, search by literature number:				
Literature Number:	3600-4222	3600-4176	8300-4000	8300-4000

(Not all models deliver ALL maximum values listed, i.e.: Maximum thrust may not be available with maximum speed)

A COMPARISON OF BELT DRIVE ACTUATORS

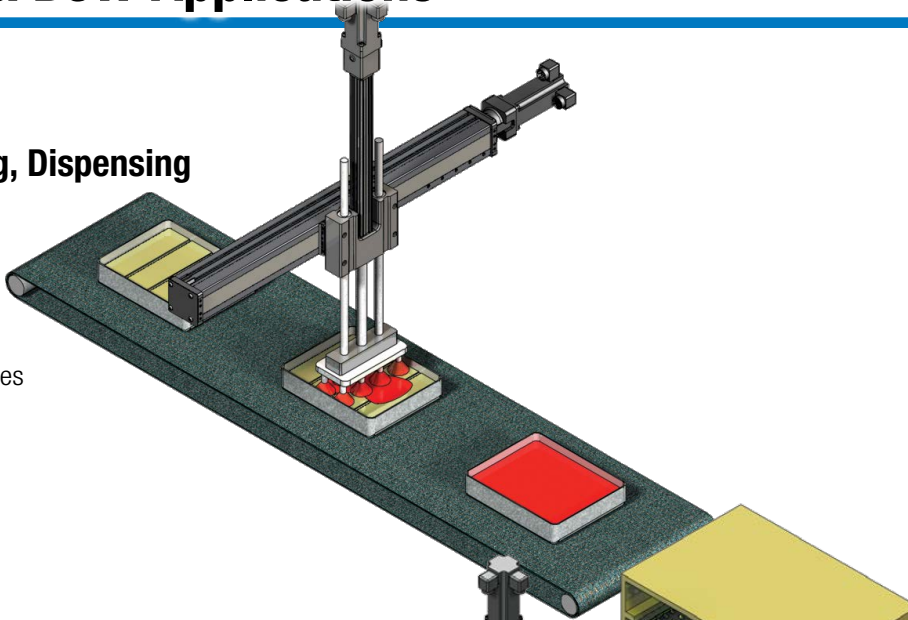
	B3W	MXB-U	MXB-S	MXB-P
Features:	High load and bending moment capacities	Basic thrust, requires external guidance and support	Medium load and bending moment capacities	High load and bending moment capacities
Load up to: (with options)	35.6 kN [8,000 lbf]	NA	4.6 kN [1,040 lbf]	11.5 kN [2,584 lbf]
Thrust up to:	1.4 kN [325 lbf]	1.9 kN [418 lbf]	1.9 kN [418 lbf]	1.9 kN [418 lbf]
Speed up to:	5.1 m/sec [200 in/sec]	5.1 m/sec [200 in sec]	2.5 m/sec [100 in sec]	3.9 m/sec [150 in/sec]
Stroke Length up to:	10.6 m [416 in]	10.5 m [414 in]	10.5 m [414 in]	10.5 m [414 in]
www.tolomatic.com for complete information, search by literature number:				
Literature Number:	3600-4176	8500-4000	8500-4000	8500-4000

(Not all models deliver ALL maximum values listed, i.e.: Maximum thrust may not be available with maximum speed)

B3S & B3W Applications

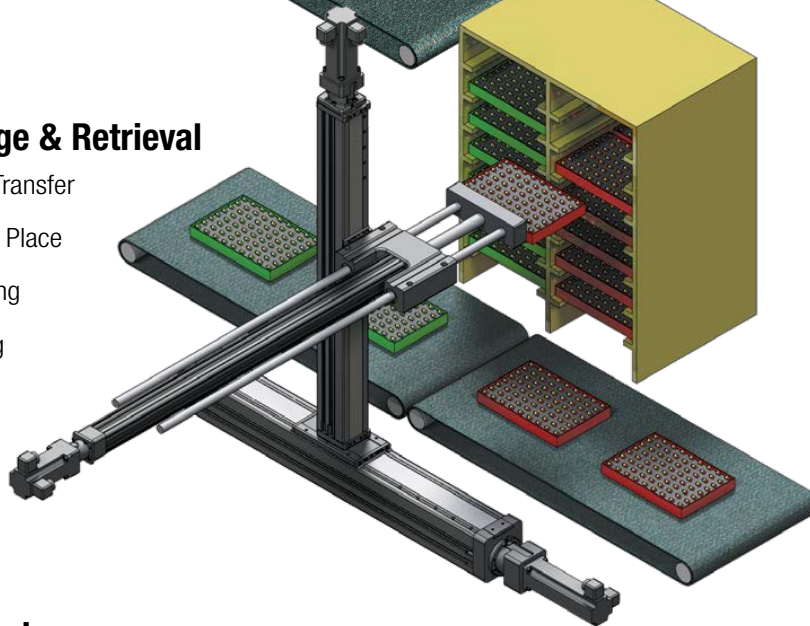
Applying, Dispensing

- Spraying
- Cutting
- Slitting
- Test Fixtures
- Inspection



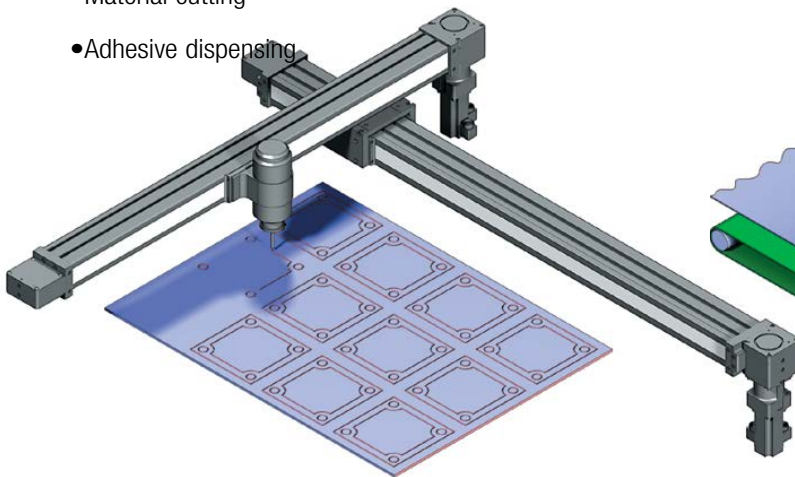
Storage & Retrieval

- Parts Transfer
- Pick & Place
- Stacking
- Sorting



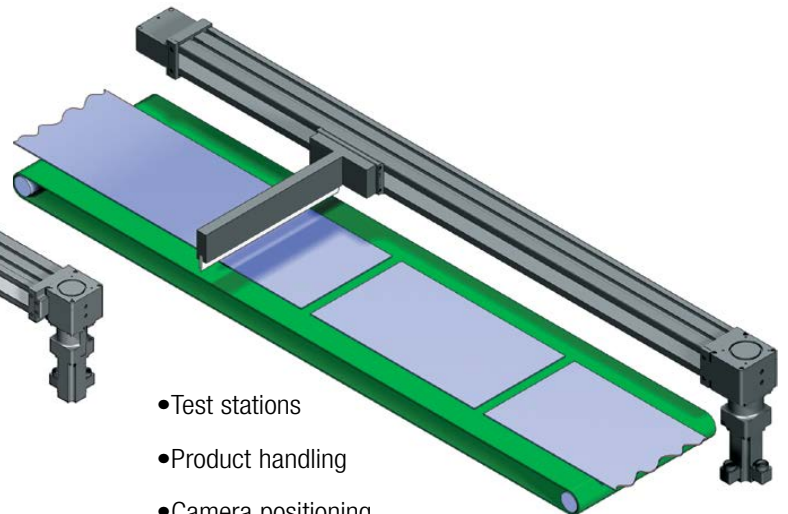
X-Y Gantry/Multi Axis

- Laser marking
- Material cutting
- Adhesive dispensing



High Speed Flying Cut Off

- Test stations
- Product handling
- Camera positioning



CONTENTS

Rodless Comparisons.....	B3_2
B3S & B3W Applications.....	B3_3
B3S Features.....	B3_4
B3W Features.....	B3_6
B3S & B3W Performance.....	B3_8
B3S Specifications.....	B3_9
Critical Speed (Acme).....	B3_13
PV Limits (Acme).....	B3_14
Critical Speed (Ball).....	B3_15
Ball Screw Life.....	B3_16
B3S Dimensions.....	B3_17-24
B3W Performance.....	B3_25
B3W Specifications.....	B3_26
B3W Dimensions.....	B3_28-34
Switches.....	B3_34
Application Data	
Worksheet.....	B3_36
Selection Guidelines.....	B3_37
B3s Ordering.....	B3_39
B3W Ordering.....	B3_39
Other Tolomatic	
Products.....	B3_40

B3S RODLESS SCREW DRIVE ACTUATOR

ENDURANCE TECHNOLOGYSM

Endurance Technology features are designed for maximum durability to provide extended service life.

A Tolomatic Design Principle

The B3S rodless screw-drive electric actuator is designed for carrying moderate to heavy loads with large bending moment capacity. The B3S utilizes an integral recirculating ball bearing guidance system that provides durable performance and extremely long life. Choose from multiple screw technologies for thrust up to 12 kN [2,700 lbf]. Built-to-order in stroke lengths up to 10.6 m [416 inches].

LOAD-BEARING CARRIER DESIGN

Load and moments are transmitted directly to the actuator body

FORMED END CAP WIPERS

Prevent contaminants from entering the sealing band area to protect internal components

INTERNAL BUMPERS

Bumpers protect the screw and nut assembly from damage at end of stroke

STAINLESS STEEL SEALING BAND

- Prevents contaminants from entering the screw and nut area for extended performance
- Fatigue resistant stainless steel bands are specifically made to offer long life and will not elongate
- Provides IP44 protection for bearings and screw nut

MULTIPLE SCREW TECHNOLOGIES

YOU CAN CHOOSE:

- Solid nuts of engineered resins offer quiet performance at the lowest cost; anti-backlash available
- Ball nuts offer positioning accuracy and repeatability with longer life; low-backlash available



B3S

B3W

Tolomatic™... MAXIMUM DURABILITY

EXCELLENCE IN MOTION

SCREW SUPPORT BEARINGS

Unique high thrust bearing assembly design eliminates runout and isolates the linear forces from the drive shaft

YOUR MOTOR HERE

YOU CAN CHOOSE:

- Specify the device to be installed and actuator ships with proper mounting hardware
- Specify and ship your device to Tolomatic for factory installation
- Motor or gearbox supplied and installed by Tolomatic

MOTOR ORIENTATION

YOU CAN CHOOSE:

- Inline option directly couples the driving shaft and is typically a one-piece housing construction for optimum alignment and support of the motor
- Reverse-parallel option minimizes the overall length and offers a belt reduction drive with a 1:1 or 2:1 ratio

LIGHTWEIGHT ALUMINUM DESIGN

- Black anodized extrusion design is optimized for rigidity and strength
- External switch channels on both sides allow easy placement and adjustment of position indicating switches

RECIRCULATING BALL BEARING SYSTEM



- Unique design incorporates hardened steel raceways integral to the aluminum extrusion
- Bearing surfaces are adjusted at the factory for optimum preload and smooth performance
- Recirculating ball bearing system provides guidance, high efficiency and durability

OPTIONS

CARRIER OPTIONS

- **AUXILIARY CARRIER** doubles the load capacity and increases pitch and yaw bending moment capacities
- **DUAL 180° CARRIER** doubles the load capacity, increases roll and yaw bending moment capacities and offers a wide mounting platform

MOUNTING OPTIONS

- **SURFACE MOUNT** two t-slots are integral on the entire underside of the actuator body for direct mounting
- **TUBE SUPPORTS** provide intermediate support of the actuator body throughout long stroke lengths
- **MOUNTING PLATES** provide intermediate support of the actuator body throughout long stroke lengths

METRIC OPTION

Provides metric tapped holes for mounting of load to carrier and of actuator to mating surfaces

SWITCHES

Styles include: reed, hall-effect or triac. Select either 5 m potted cable with flying leads or 150 mm to quick-disconnect coupler with mating 5 m cable

B3W RODLESS BELT-DRIVE ACTUATOR

ENDURANCE TECHNOLOGYSM

Endurance Technology features are designed for maximum durability to provide extended service life.

A Tolomatic Design Principle

The B3W rodless belt-drive electric actuator is designed for carrying moderate to heavy loads at moderate to high speeds with large bending moment capacity. The B3W utilizes an integral recirculating ball bearing guidance system that provides durable performance and extremely long life. The B3W belt-driven actuator features speeds up to 5.1 m/sec [200 in/sec]. Built-to-order in stroke lengths up to 5.3 m [207 inches].

YOUR MOTOR HERE

YOU CAN CHOOSE:

- Specify the device to be installed and actuator ships with proper mounting hardware
- Specify and ship your device to Tolomatic for factory installation
- Motor or gearbox supplied and installed by Tolomatic

STAINLESS STEEL SEALING BAND

- Prevents contaminants from entering the screw and nut area for extended performance
- Fatigue resistant stainless steel bands are specifically made to offer long life and will not elongate
- Provides IP44 protection for bearings and screw nut

MOTOR ORIENTATION

YOU CAN CHOOSE:

- Direct drive option directly couples the driving shaft and is typically a one-piece housing construction for optimum alignment and support of the motor
- Reduction drive option minimizes the overall length and offers a belt reduction drive with a 1:1 or 2:1 ratio

LIGHTWEIGHT ALUMINUM DESIGN

- Black anodized extrusion design is optimized for rigidity and strength
- External switch channels on both sides allow easy placement and adjustment of position indicating switches

OVERSIZED PULLEY BEARINGS

Drive shaft assembly incorporates sealed ball bearings for complete support of the increased belt tension at high speeds

INTERNAL BUMPERS

Bumpers protect the screw and nut assembly from damage at end of stroke

B3S

B3W

RECIRCULATING BALL BEARING SYSTEM



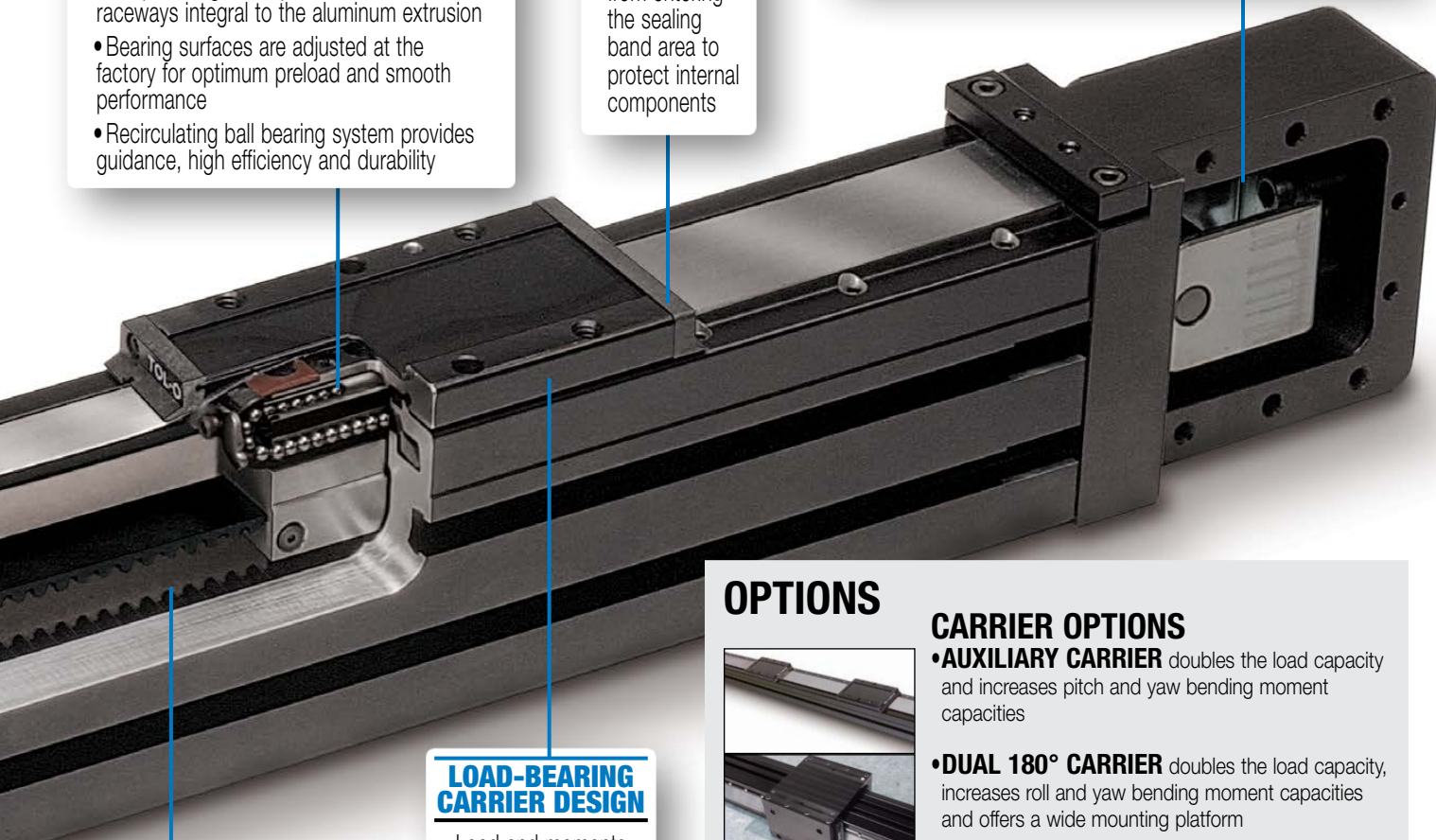
- Unique design incorporates hardened steel raceways integral to the aluminum extrusion
- Bearing surfaces are adjusted at the factory for optimum preload and smooth performance
- Recirculating ball bearing system provides guidance, high efficiency and durability

FORMED END CAP WIPERS

Prevent contaminants from entering the sealing band area to protect internal components

BELT TENSIONING SYSTEM

- Full access to the idle pulley allows ease of adjustment for alignment and tensioning
- Dual adjustment screws and field tensioning kit provide simple maintenance



LOAD-BEARING CARRIER DESIGN

Load and moments are transmitted directly to the actuator body

MULTIPLE BELT TECHNOLOGIES

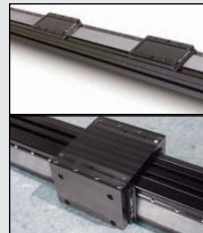
YOU CAN CHOOSE:

- Polyurethane steel-cord reinforced HTD style belt (standard)
- Polyurethane Kevlar reinforced HTD style belt

OPTIONS

CARRIER OPTIONS

- **AUXILIARY CARRIER** doubles the load capacity and increases pitch and yaw bending moment capacities
- **DUAL 180° CARRIER** doubles the load capacity, increases roll and yaw bending moment capacities and offers a wide mounting platform



MOUNTING OPTIONS

- **SURFACE MOUNT** two t-slots are integral on the entire underside of the actuator body for direct mounting
- **TUBE SUPPORTS** provide intermediate support of the actuator body throughout long stroke lengths
- **MOUNTING PLATES** provide intermediate support of the actuator body throughout long stroke lengths



METRIC OPTION

Provides metric tapped holes for mounting of load to carrier and of actuator to mating surfaces

SWITCHES

Styles include: reed, hall-effect or triac. Select either 5 m potted cable with flying leads or 150 mm to quick-disconnect coupler with mating 5 m cable



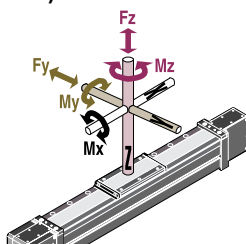
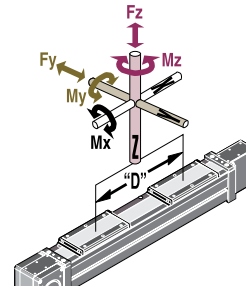
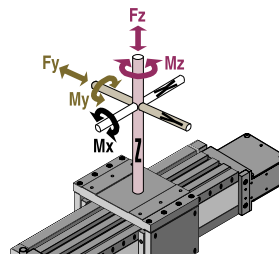
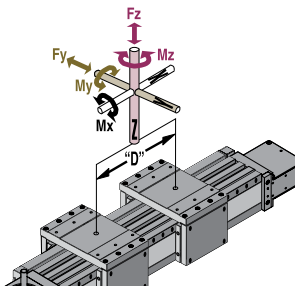
B3S

B3W

B3S & B3W Electric Rodless Actuators

SPECIFICATIONS both Screw & Belt Drive

DYNAMIC BENDING MOMENTS AND LOADS

	Size	METRIC			U.S. CONVENTIONAL		
		10	15	20	10	15	20
SINGLE (STANDARD) CARRIER							
							
Mx Moment (Roll) (N-m : lb-in)		28.2	97	188	250	859	1,662
My Moment (Pitch) (N-m : lb-in)		30.4	117	166	269	1,033	1,472
Mz Moment (Yaw) (N-m : lb-in)		17.6	67	96	156	596	850
Fy Load (Radial) (N : lb)		1,517	3,737	5,155	341	840	1,159
Fz Load (Lateral) (N : lb)		2,629	6,468	8,932	591	1,454	2,008
AUXILIARY CARRIER: Increases rigidity, load-carrying capacity and moments							
							
Mx Moment (Roll) *(N-m : lb-in)		57	194	376	500	1,718	3,324
My Moment (Pitch) *(N-m : lb-in)		319	1,326	1,838	2,825	11,734	16,265
Mz Moment (Yaw) *(N-m : lb-in)		184	766	1,061	1,630	6,779	9,388
Fy Load (Radial) (N : lb)		3,034	7,473	10,311	682	1,680	2,318
Fz Load (Lateral) (N : lb)		5,258	12,935	17,864	1,182	2,908	4,016
Minimum Dimension 'D' (mm : in)		124	205	206	4.88	8.07	8.10
DUAL 180° CARRIER: Allows 90° rotation of load, adds load bearing surface							
							
Mx Moment (Roll) (N-m : lb-in)		74	279	512	657	2,468	4,527
My Moment (Pitch) (N-m : lb-in)		35.3	135	192	312	1,192	1,700
Mz Moment (Yaw) (N-m : lb-in)		61	233	333	538	2,066	2,944
Fy Load (Radial) (N : lb)		5,258	12,935	17,864	1,182	2,908	4,016
Fz Load (Lateral) (N : lb)		3,034	7,473	10,311	682	1,680	2,318
AUXILIARY DUAL 180° CARRIER: Substantially increases moment and loads							
							
Mx Moment (Roll) *(N-m : lb-in)		149	558	1,023	1,314	4,936	9,054
My Moment (Pitch) *(N-m : lb-in)		376	1,532	2,121	3,328	13,558	18,776
Mz Moment (Yaw) *(N-m : lb-in)		652	2,652	3,675	5,768	23,468	32,530
Fy Load (Radial) (N : lb)		10,516	25,871	35,728	2,364	5,816	8,032
Fz Load (Lateral) (N : lb)		6,067	14,946	20,622	1,364	3,360	4,636
Minimum Dimension 'D' (mm : in)		124	205	206	4.88	8.07	8.10



The Dual 180° carrier requires its own proprietary tube supports and foot mounts. See dimensional information. Breakaway torque will also increase when using the Auxiliary carrier or the Dual 180° carrier options. When ordering, determine working stroke and enter this value into the configuration string. Overall actuator length will automatically be calculated.

Deflection Considerations: In applications where substantial Mx or My moments come into play, deflection of the cylinder tube, carrier and supports must be considered. The deflection factors shown in the Load Deflection charts on the following page are based on cylinder mounted with tube supports at minimum recommended spacing. If more rigidity is desired, refer to the Auxiliary or Dual Carrier options.

*Loads shown in table are at minimum "D" dimension, for ratings with longer "D" dimension see graphs on page B3_10.

Life of the actuator will vary for each application depending on the combined loads, motion parameters and operating conditions. The load factor (L_f) ratios for each application must not exceed a value of 1.5 (see formula at right). Exceeding a load factor of 1.5 will diminish the actuator's rated life.

$$L_f = \frac{M_x}{M_{x_{max}}} + \frac{M_y}{M_{y_{max}}} + \frac{M_z}{M_{z_{max}}} + \frac{F_y}{F_{y_{max}}} + \frac{F_z}{F_{z_{max}}} \leq 1.5$$

With combined loads, L_f must not exceed the value 1.5

B3S & B3W Electric Rodless Actuators

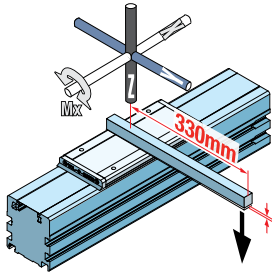
SPECIFICATIONS both Screw & Belt Drive

sizeit.tolomatic.com for fast, accurate actuator selection



LOAD DEFLECTION

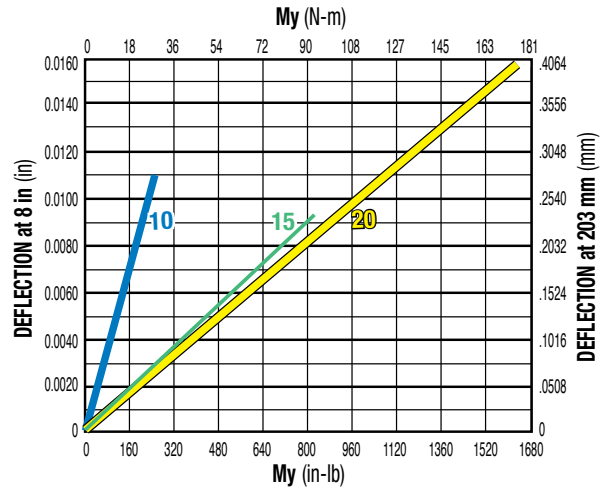
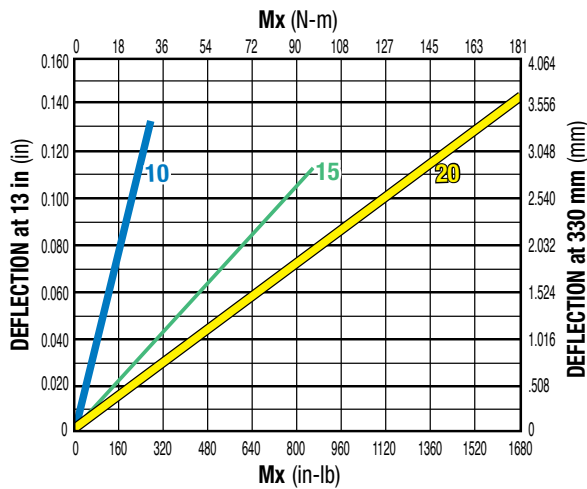
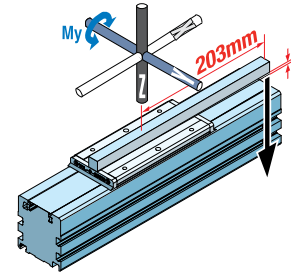
DEFLECTION ABOUT X AXIS



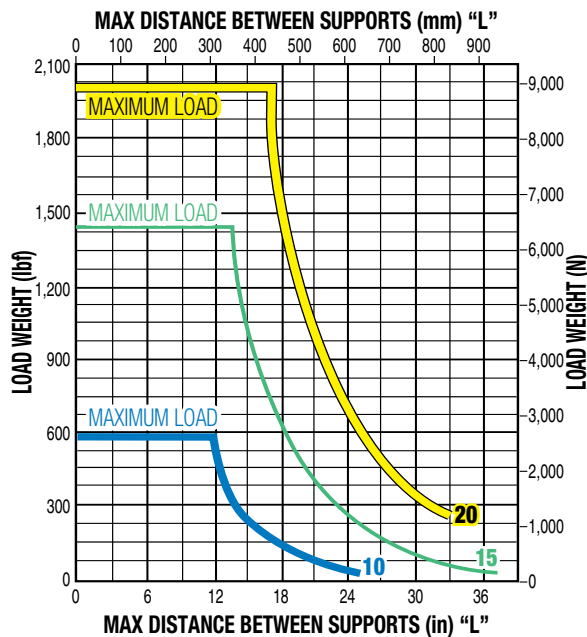
DEFLECTION TESTING WAS DONE UNDER THESE CRITERIA:

- 1.) Actuator was properly mounted with distance between supports within recommendations (see Support Recommendations below)
- 2.) Deflection was measured from center of carrier as shown (Mx = 330mm, My = 203mm)

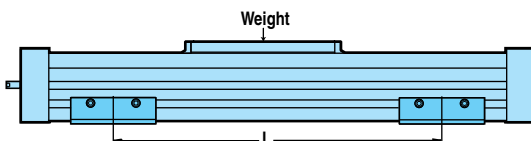
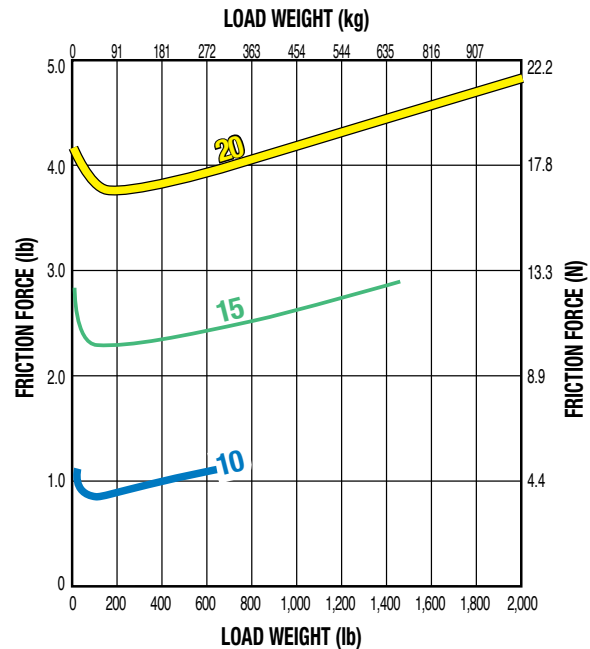
DEFLECTION ABOUT Y AXIS



SUPPORT RECOMMENDATIONS



FRICITION FORCE



B3S

B3W

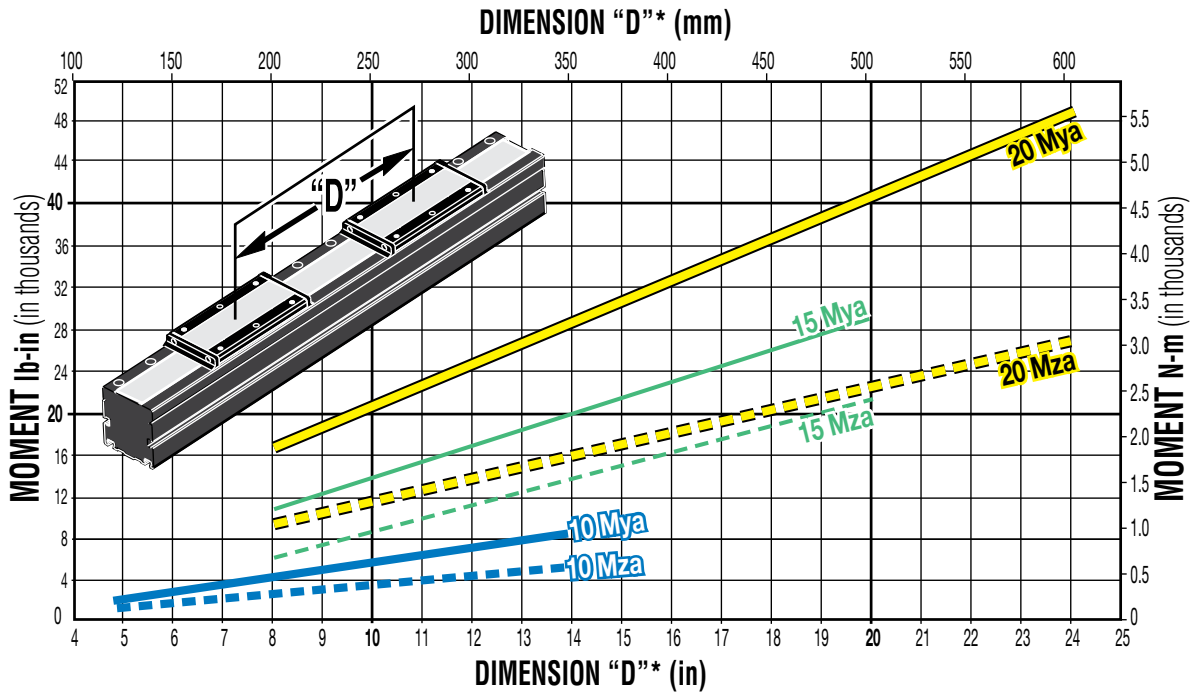
B3S & B3W Electric Rodless Actuators

SPECIFICATIONS both Screw & Belt Drive

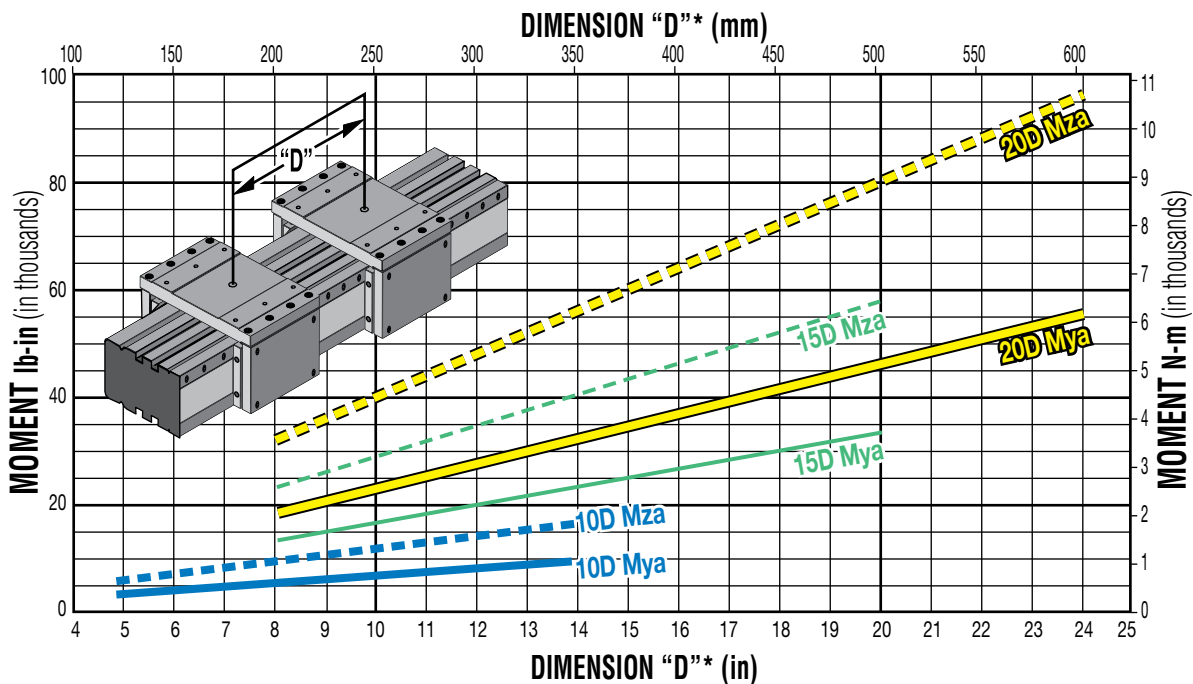
sizeit.tolomatic.com for fast, accurate actuator selection



AUXILIARY CARRIER: BENDING MOMENT AT 'D' DISTANCE



AUXILIARY DUAL 180° CARRIER: BENDING MOMENT AT 'D' DISTANCE



- Rates shown on both graphs were calculated with these assumptions:
- 1.) Coupling between carriers is rigid.
 - 2.) Load is equally distributed between carriers.
 - 3.) Coupling device applies no misalignment loads to carriers.
- * Customer must specify Dimension "D" (Distance between carrier center lines) when ordering.

Life of the actuator will vary for each application depending on the combined loads, motion parameters and operating conditions. The load factor (L_f) ratios for each application must not exceed a value of 1.5 (see formula at right). Exceeding a load factor of 1.5 will diminish the actuator's rated life.

$$L_f = \frac{M_x}{M_{x_{max}}} + \frac{M_y}{M_{y_{max}}} + \frac{M_z}{M_{z_{max}}} + \frac{F_y}{F_{y_{max}}} + \frac{F_z}{F_{z_{max}}} \leq 1.5$$

With combined loads, L_f must not exceed the value 1.5

B3S Electric Screw Drive Rodless Actuators

SPECIFICATIONS Related to Actuator Size and Screw Selection

METRIC LEAD SCREWS

	SCREW DIA.	SCREW TYPE	LEAD (mm/turn)	LEAD ACCURACY (mm/300)	BACKLASH (mm)	MAX THRUST* (N)	MAX STROKE (mm)	INERTIA (kg-m ² x 10 ⁻⁶)			BREAKAWAY TORQUE (N-m)
								BASE ACTUATOR		PER/mm OF STROKE	
	(mm)	In Line	Rev. Parallel								
B3S10	10	BNM	10	0.10	0.06	1,832	1,630	1.14	1.43	0.176	0.13
	12	SN	12.0	0.13	0.18	800	3,459	3.03	4.50	0.410	0.20
B3S15	15	SN	12.0	0.13	0.18	900	3,388	11.35	12.96	0.966	0.27
	16	BN(L)	5.0	0.13	0.38	7,300	3,388	11.93	14.04	1.258	0.16
B3S20	20	BN(L)	5.0	0.13	0.38	11,700	3,337	36.97	39.28	3.102	0.25

(L) for low backlash ball screws: backlash = 0.05 mm

INCH (US Conventional) LEAD SCREWS

	SCREW DIA.	SCREW TYPE	TPI (turns/in)	LEAD ACCURACY (in/ft)	BACKLASH (in)	MAX THRUST* (lbf)	MAX STROKE (in)	INERTIA (lb-in ²)			BREAKAWAY TORQUE (lb-in)
								BASE ACTUATOR		PER/in OF STROKE	
	(in)	In Line	Rev. Parallel								
B3S10	0.375	BN(L)	08	0.004	0.015	130	64.2	0.0034	0.0042	0.0005	1.125
	0.500	SN	05	0.006	0.007	170	136.2	0.0114	0.0142	0.0017	1.250
	0.500	SN	02	0.005	0.007	170	134.2	0.0159	0.0187	0.0017	1.750
	0.500	SNA	02	0.005	0.003	170	134.2	0.0193	0.0221	0.0017	1.750
	0.500	SN	01	0.006	0.007	170	100.2	0.0320	0.0348	0.0017	2.500
B3S15	0.500	BN(L)	02	0.003	0.015	800	61.4	0.0253	0.0282	0.0017	1.563
	0.625	BN(L)	05	0.003	0.015	800	61.4	0.0397	0.0467	0.0042	1.250
	0.625	SN	02	0.005	0.007	200	133.4	0.0480	0.0550	0.0042	1.875
	0.625	SNA	02	0.005	0.003	200	133.4	0.0480	0.0550	0.0042	1.875
	0.750	SN	01	0.005	0.007	300	133.4	0.1185	0.1329	0.0087	2.813
B3S20	0.750	BN(L)	02	0.004	0.015	2,700	131.4	0.1159	0.1224	0.0087	3.125
	0.750	BN(L)	05	0.003	0.015	950	131.4	0.1045	0.1110	0.0087	2.188

(L) for low backlash ball screws: backlash = 0.0020"

SCREW CODE	DESCRIPTION
SN	Solid Nut
SNA	Anti-backlash Solid Nut
BN	Ball Nut
BNL	Low-Backlash Ball Nut

Contact Tolomatic for higher accuracy and lower backlash options.

* For Acme screws, maximum thrust is the maximum continuous dynamic thrust subject to Thrust x Velocity limitation.

For ball screws, maximum thrust reflects 90% reliability for 25 million linear millimeters of travel.

B3S Electric Screw Drive Rodless Actuators

SPECIFICATIONS

METRIC

	WEIGHT		WEIGHT PER UNIT OF STROKE	¹ STRAIGHTNESS & FLATNESS (supported)	² TEMPERATURE RANGE	³ IP RATING
	CARRIER	BASE				
	(kg)	(kg)	(g/mm)	(mm)	(°C)	
B3S10	0.40	1.00	5.40	0.00067 x L*	4 - 54	44
B3S15	0.70	3.96	10.18			
B3S20	0.97	6.52	15.73			

INCH (US Conventional)

	WEIGHT		WEIGHT PER UNIT OF STROKE	¹ STRAIGHTNESS & FLATNESS (supported)	² TEMPERATURE RANGE	³ IP RATING
	CARRIER	BASE				
	(lbs)	(lbs)	(lbs/in)	(in)	(°F)	
B3S10	0.85	2.15	0.30	0.00067 x L*	40 - 130	44
B3S15	1.56	8.75	0.57			
B3S20	2.15	14.38	0.88			



¹The listed values relating to straightness/flatness are intended for reference purposes only, and not as an engineering standard of absolute tolerance for a given actuator. Appropriate installation is the single most important factor in reducing such deviation, so good engineering practices such as measurement, mapping, etc. must be employed in applications with stringent straightness/flatness requirements.

²Heat generated by the motor and drive should be taken into consideration as well as linear velocity and work cycle time. For applications that require operation outside of the recommended temperature range, contact the factory.

³ Protected against ingress of solid particles greater than .039 in (1mm)

and splashing water.

* "L" is maximum distance between supports— See the support recommendation graph on page B3_9.

LARGE FRAME MOTORS AND SMALLER SIZE ACTUATORS:
Cantilevered motors need to be supported, if subjected to continuous rapid reversing duty and/or under dynamic conditions.

LEAD SCREW EFFICIENCY

SCREW/NUT STYLE	SIZE		
	10	15	20
Composite (ACME)	0.60		
Ball	0.90		
Ball Low Backlash	0.85		

B3S Electric Screw Drive Rodless Actuators

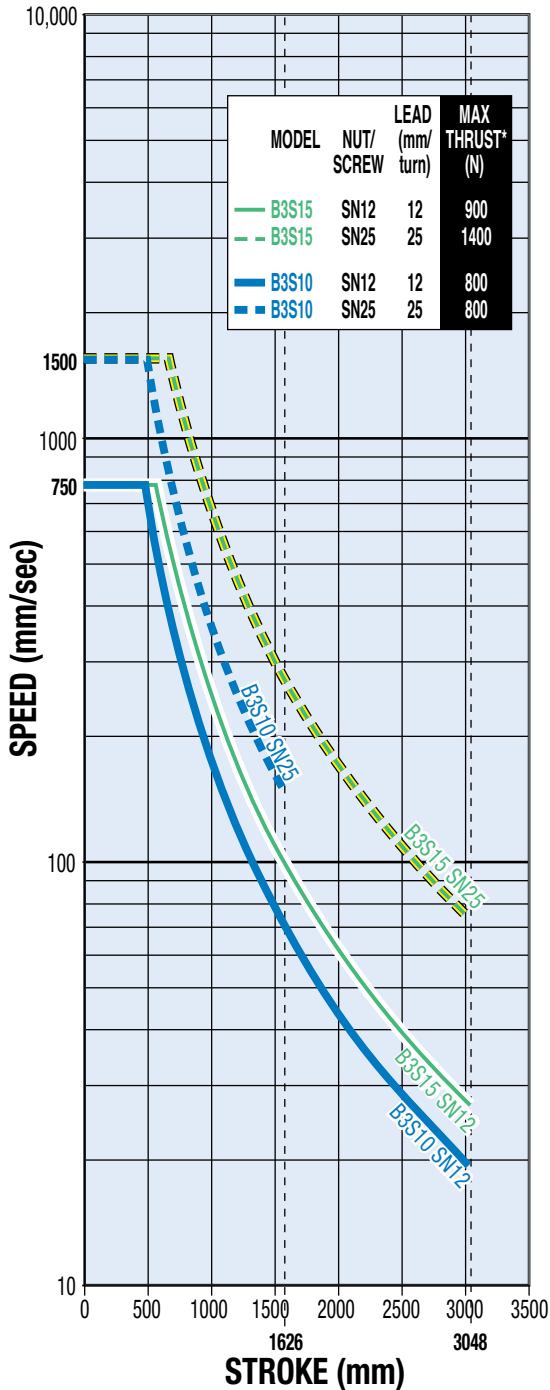
ACME SCREW/NUT COMBINATIONS

sizeit.tolomatic.com for fast, accurate actuator selection

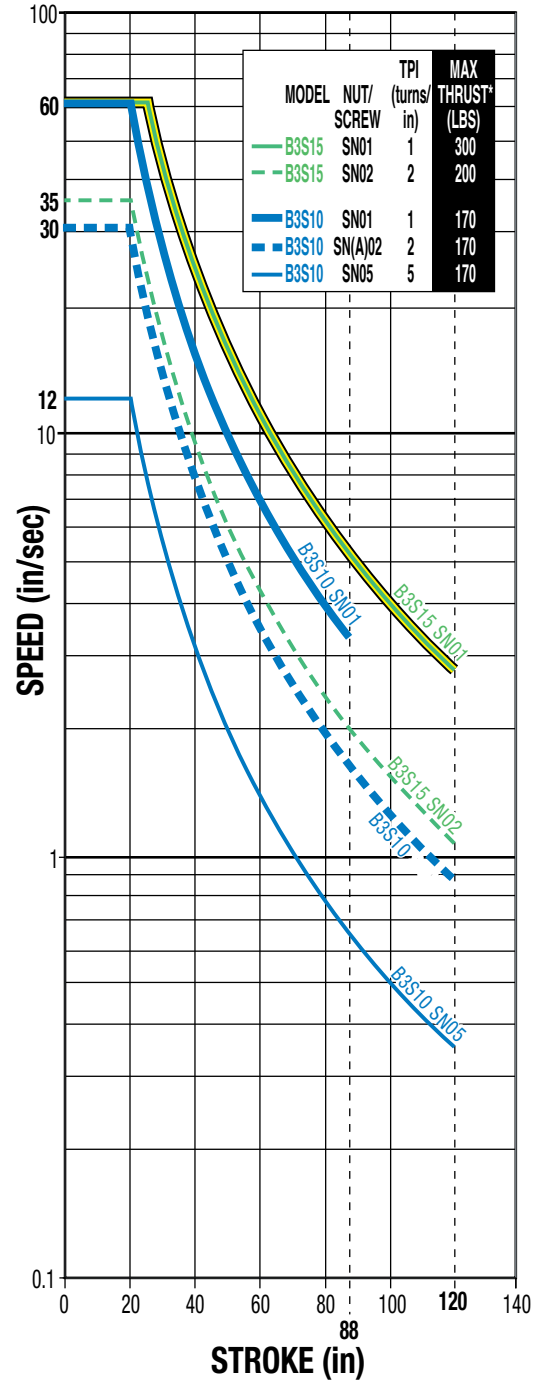


ACME SCREW CRITICAL SPEED CAPACITIES

METRIC ACME SCREW



INCH (US Conventional) ACME SCREW



* Maximum thrust is the maximum continuous dynamic thrust subject to Thrust x Velocity limitation.

Dotted lines represent maximum stroke for screw selections.

For Screw PV limits, refer to the individual charts located in the technical section for each actuator body size.

SCREW CODE	DESCRIPTION
SN	Solid Nut
SNA	Anti-backlash Solid Nut

B3S

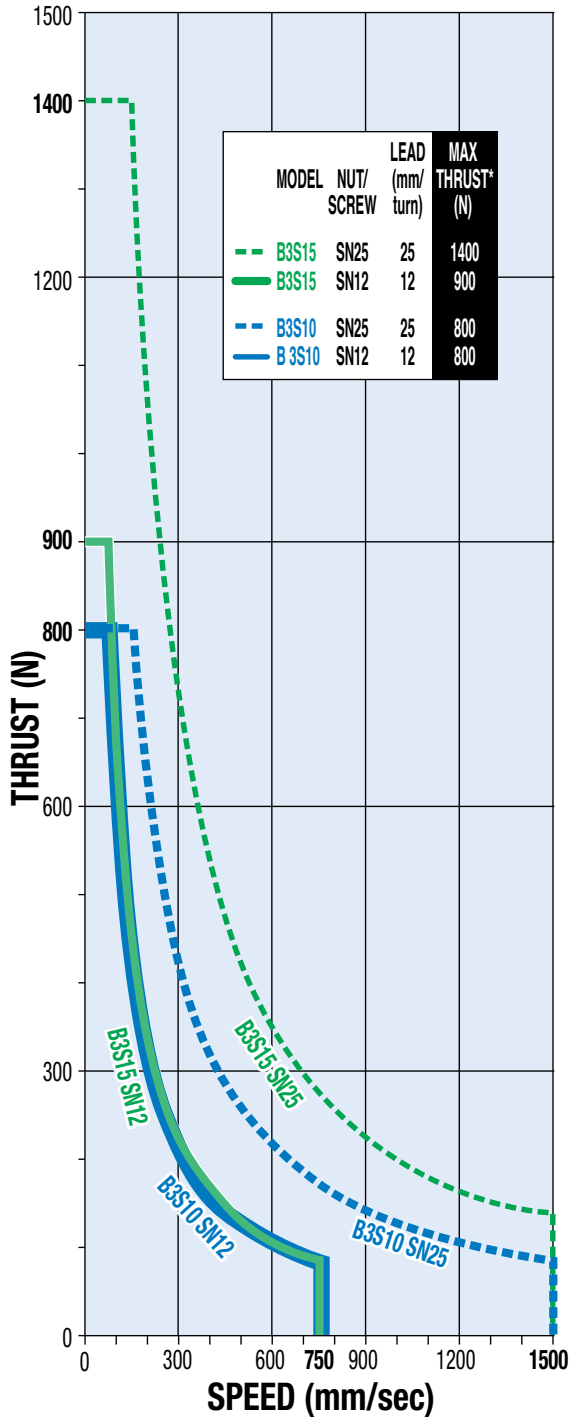
B3W

B3S Electric Screw Drive Rodless Actuators

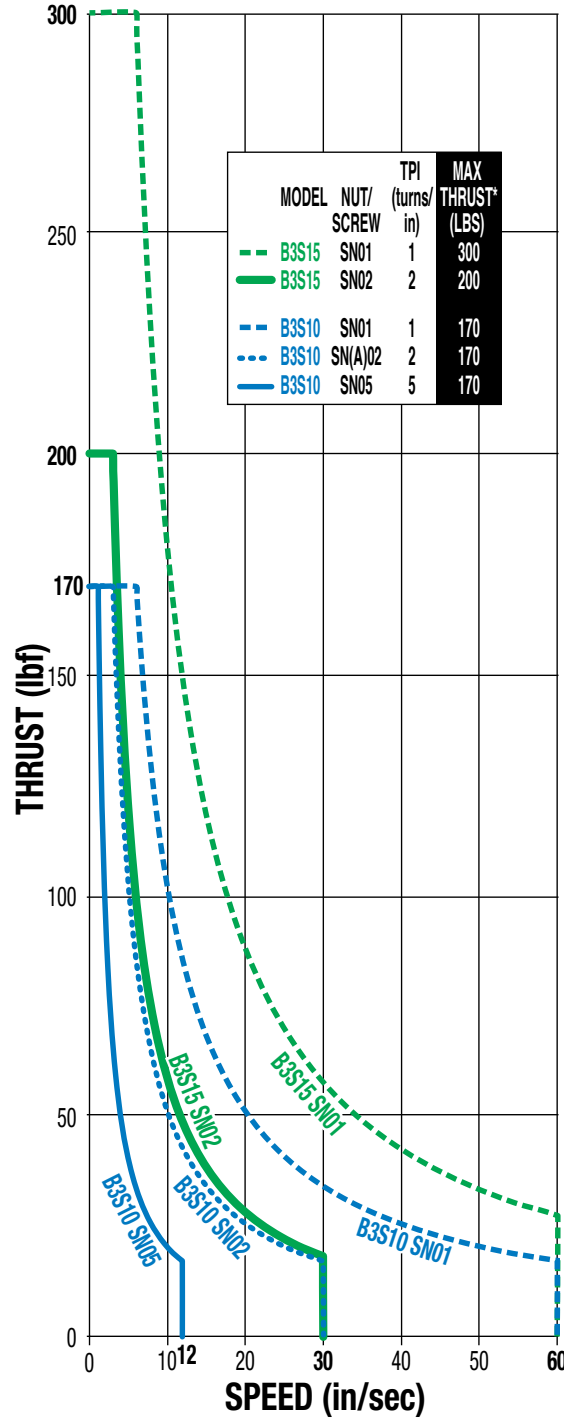
ACME SCREW/NUT COMBINATIONS

ACME SCREW PV LIMITS

METRIC ACME SCREW



INCH (US Conventional) ACME SCREW



▲ * Maximum thrust is the maximum continuous dynamic thrust subject to Thrust x Velocity Limitation.

PV LIMITS: Any material which carries a sliding load is limited by heat buildup. The factors that affect heat generation rate in an application are the pressure on the nut in pounds per square inch and the surface velocity in feet per minute. The product of these factors provides a measure of the severity of an application.

$$\left(\frac{P}{(\text{Max. Thrust Rating})} \right) \times \left(\frac{V}{(\text{Max. Speed Rating})} \right) \leq 0.1$$

B3S Electric Screw Drive Rodless Actuators

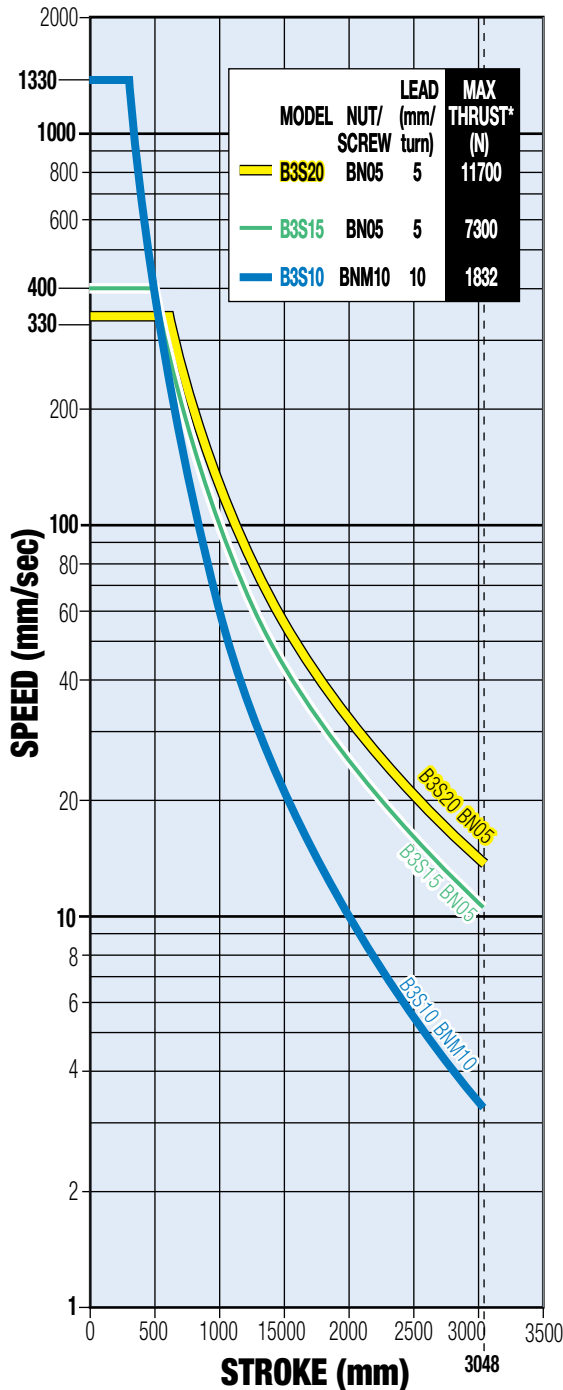
BALL SCREW/NUT COMBINATIONS

sizeit.tolomatic.com for fast, accurate actuator selection

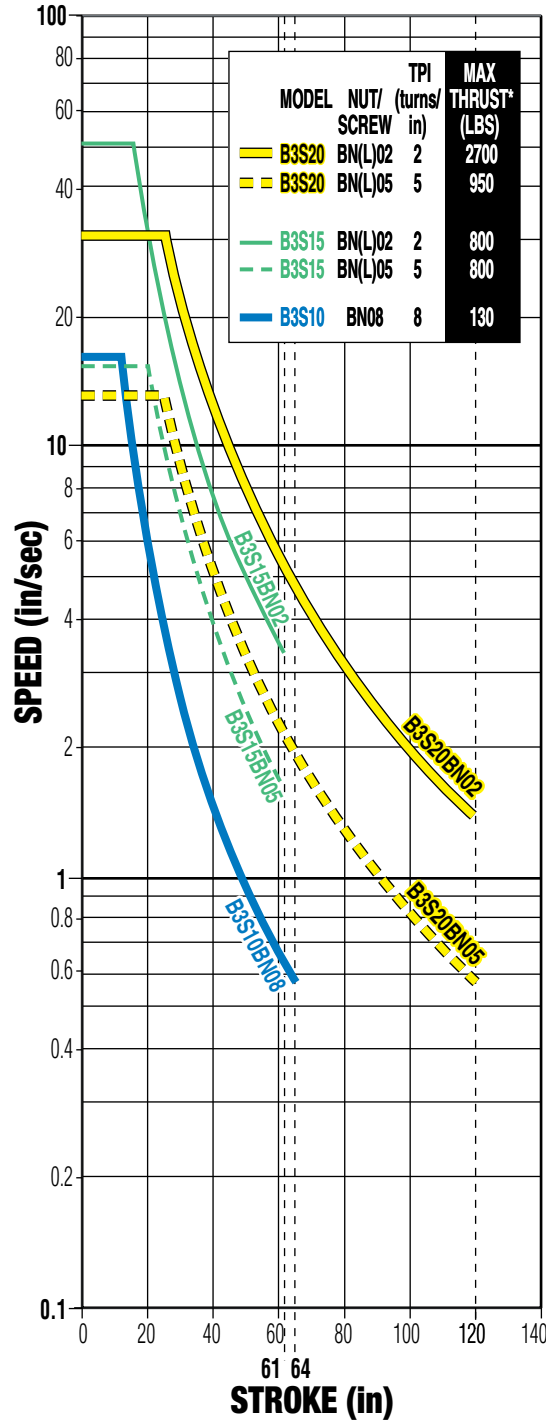


BALL SCREW CRITICAL SPEED CAPACITIES

METRIC BALL SCREW



INCH (US Conventional) BALL SCREW



* Maximum thrust reflects 90% reliability for 25 million linear millimeters of travel.

Dotted lines represent maximum stroke for screw selections.

SCREW CODE	DESCRIPTION
BN	Ball Nut
BNL	Low-Backlash Ball Nut

B3S

B3W

B3S Electric Screw Drive Rodless Actuators

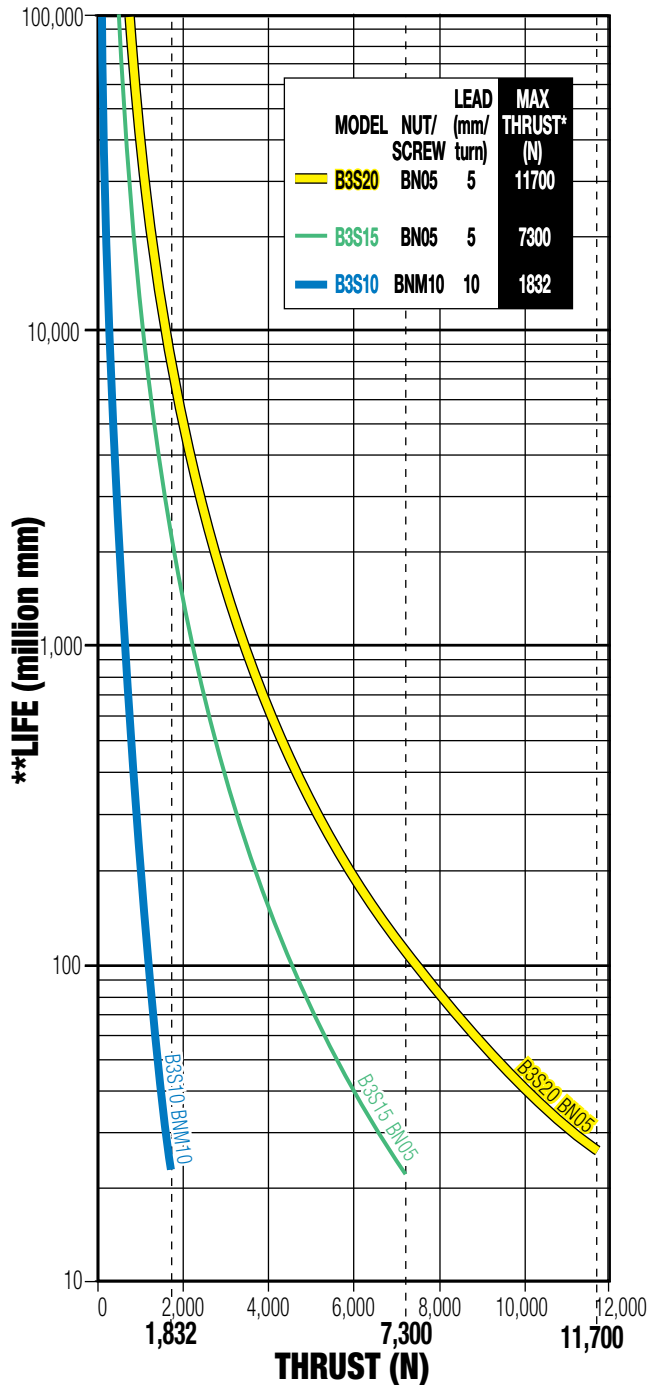
BALL SCREW/NUT COMBINATIONS

sizeit.tolomatic.com for fast, accurate actuator selection

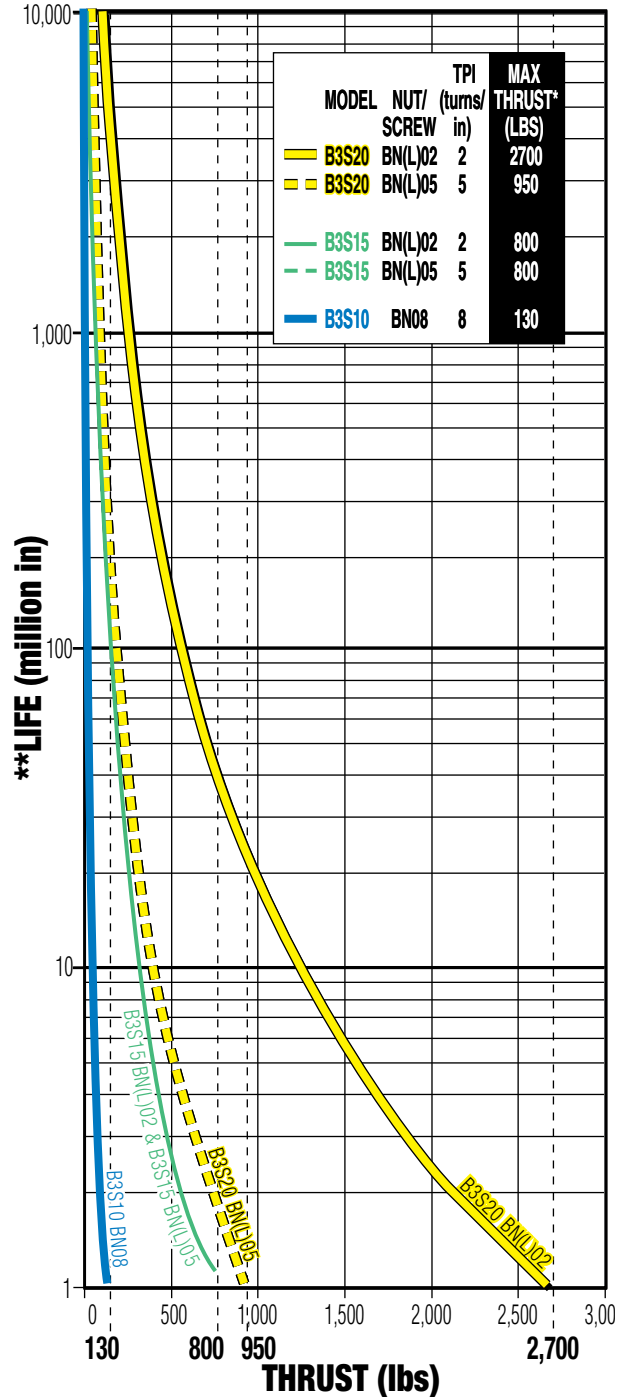


BALL SCREW LIFE CAPACITIES

METRIC BALL SCREW



INCH (US Conventional) BALL SCREW



! * Maximum thrust reflects 90% reliability for 25 million linear millimeters of travel.

Dotted lines represent maximum thrust for screw selections.

**Life indicates theoretical maximum life of screw only, under ideal conditions and does not indicate expected life of actuator.

B3S

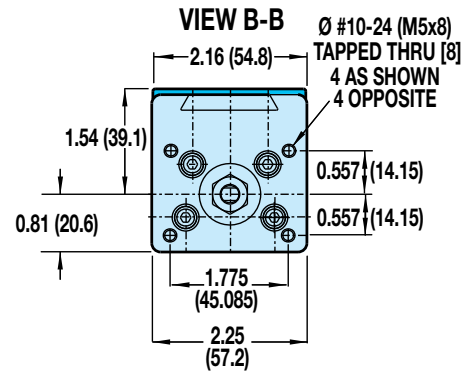
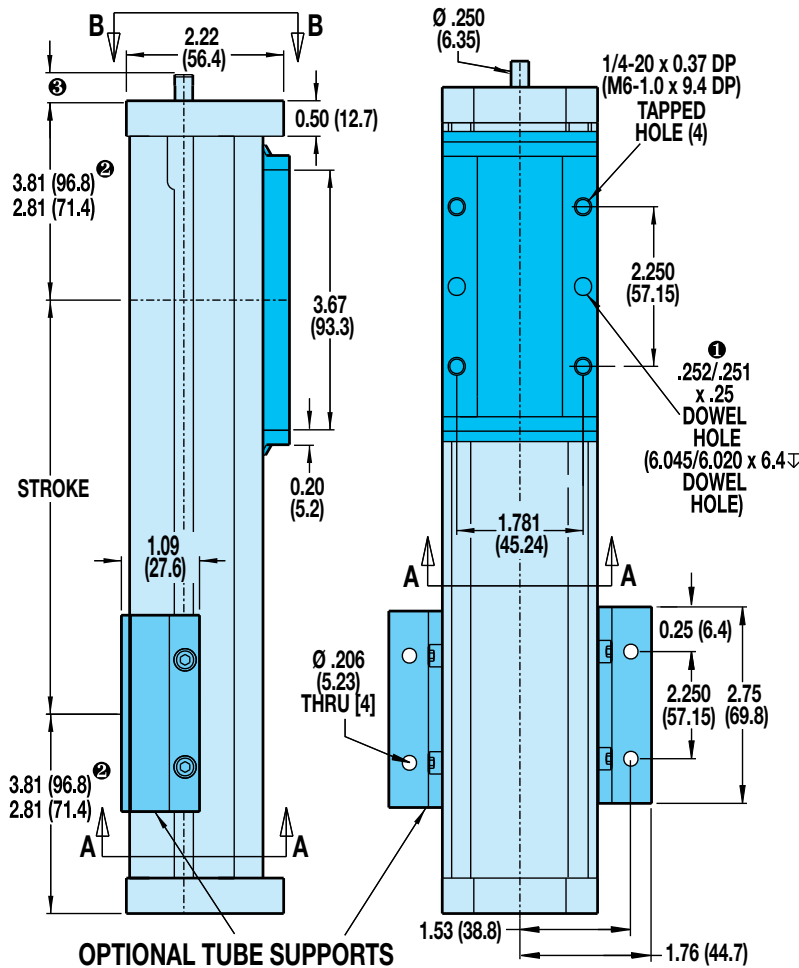
B3W

B3S10 Electric Screw Drive Rodless Actuators

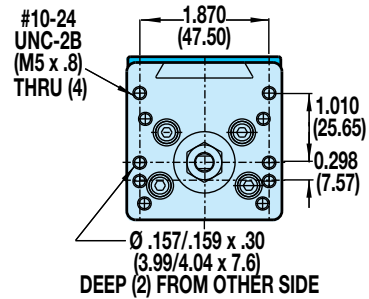
DIMENSIONS Actuator & Options

3D CAD available at www.tolomatic.com

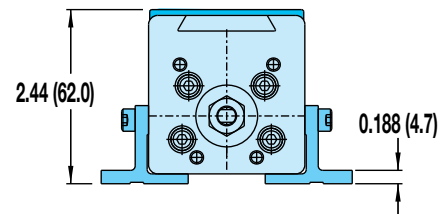
Always use configured CAD solid model to determine critical dimensions



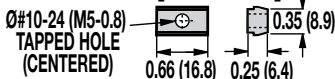
MOTOR MOUNTING



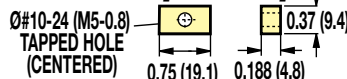
OPTIONAL TUBE SUPPORTS



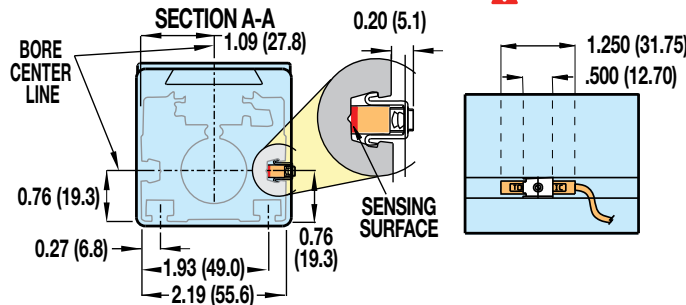
SILVER NUTS FOR SLOTS 90° FROM CARRIER #3410-1013 [4410-1013]



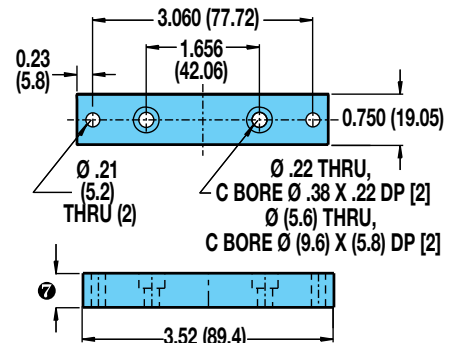
YELLOW NUTS FOR SLOTS OPPOSITE CARRIER #3410-1775 [4410-1708]



OPTIONAL SWITCH MOUNTING ⚠ ⚡ ⚠



OPTIONAL MOUNTING PLATES



① DOWEL PINS $\text{Ø} .003$ (08mm) (M)

② FOR SNAO2 STYLE ONLY

③ SHAFT LENGTH

In-line mounting	0.55 (13.8)
Extended shaft for RP & 23-frame motor	1.99 (50.5)
Extended shaft for RP & 34-frame motor	2.20 (55.9)
Extended shaft for purchases prior to 6/24/02	1.63 (41.4)

⚠ CAUTION: DO NOT OVERTIGHTEN SWITCH HARDWARE WHEN INSTALLING

⚡ NOTE: The scored face of the switch indicates the sensing surface and must face toward the magnet

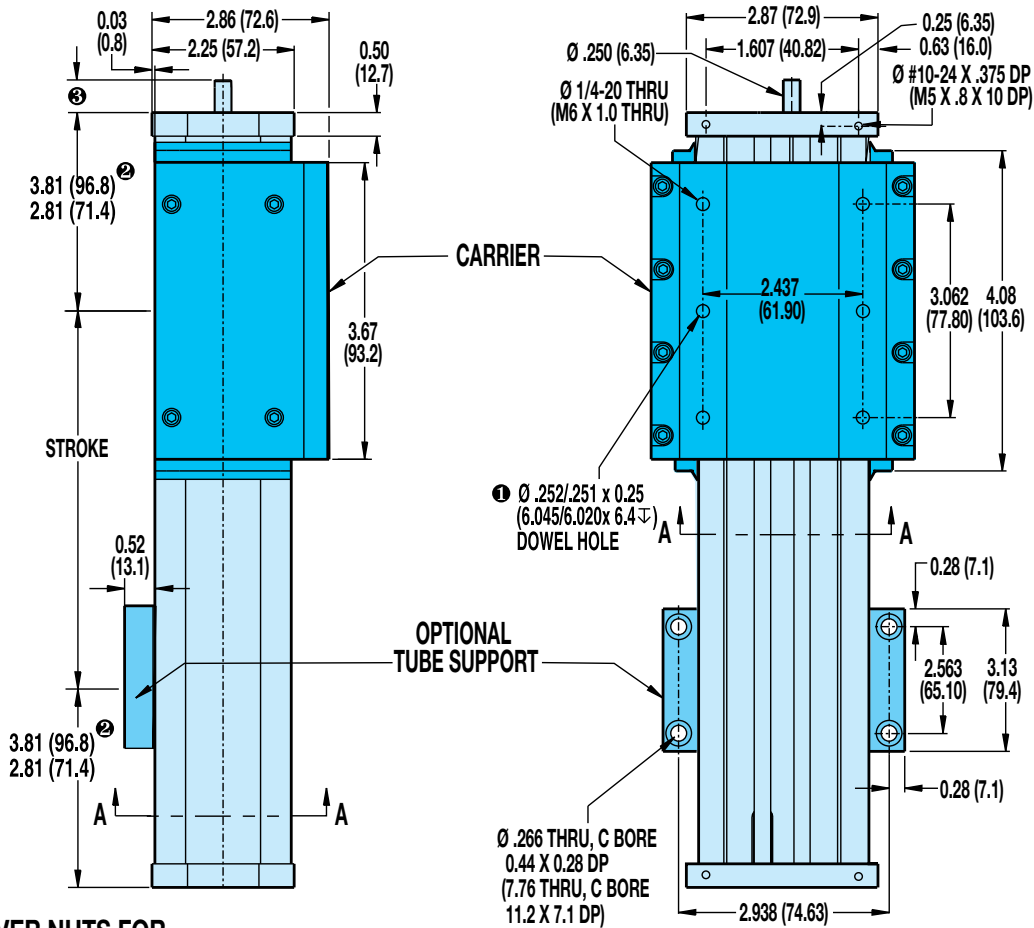
⑥ NOTE: Some actuators require switch mounting on a specific side of the actuator. Call Tolomatic 1-800-328-2174 for details

⚡ LMI with MRS is 1" (25.4mm) thick
 LMI with all others is 1/2" (12.7mm) thick
 RP, (YMH) all motors is 1/2" (12.7mm) thick

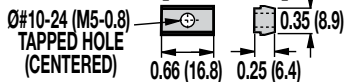
Unless otherwise noted, all dimensions shown are in inches (Dimensions in parenthesis are in millimeters)

B3S10 Electric Screw Drive Rodless Actuators

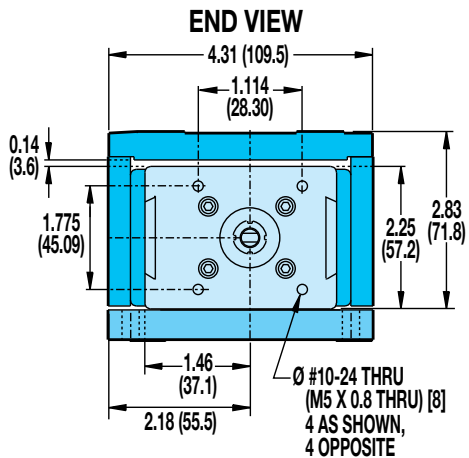
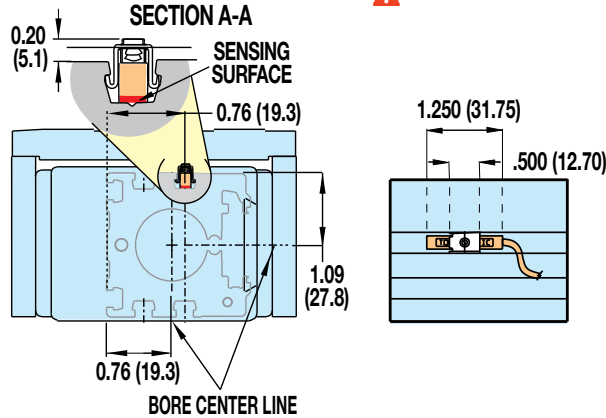
DIMENSIONS Dual 180° Option



SILVER NUTS FOR SLOTS 90° FROM CARRIER #3410-1013 [4410-1013]



OPTIONAL SWITCH MOUNTING



- ① DOWEL PINS \oplus .003 (08mm) (M)
 - ② FOR SNA02 STYLE ONLY
 - ③ SHAFT LENGTH
- | | |
|---|-------------|
| In-line mounting | 0.55 (13.8) |
| Extended shaft for RP & 23-frame motor | 1.99 (50.5) |
| Extended shaft for RP & 34-frame motor | 2.20 (55.9) |
| Extended shaft for purchases prior to 6/24/02 | 1.63 (41.4) |

⚠ CAUTION: DO NOT OVERTIGHTEN SWITCH HARDWARE WHEN INSTALLING

⑤ NOTE: The scored face of the switch indicates the sensing surface and must face toward the magnet

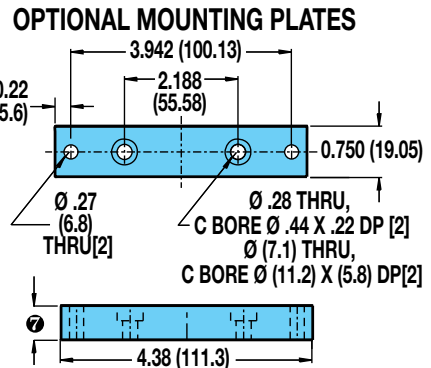
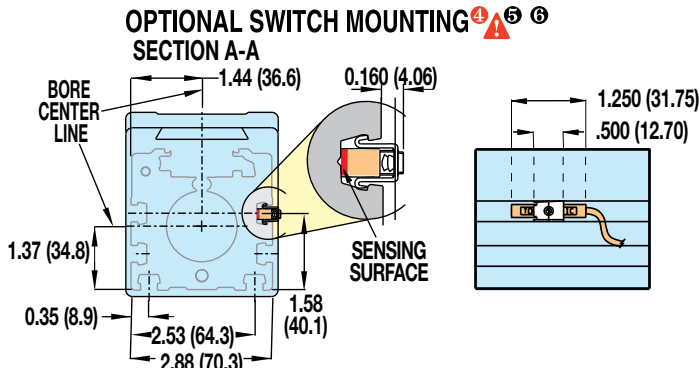
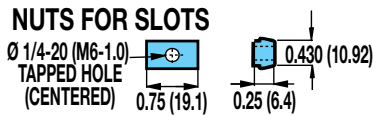
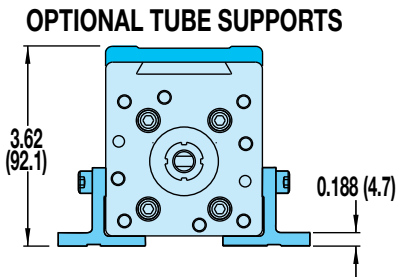
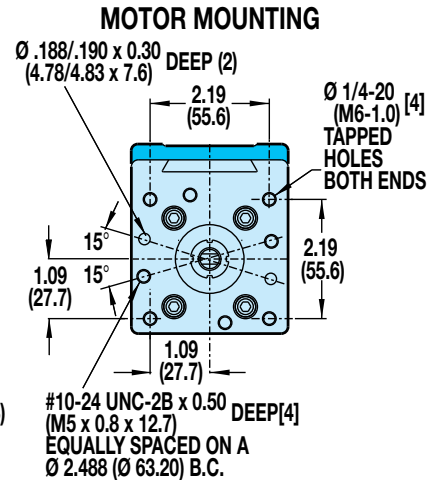
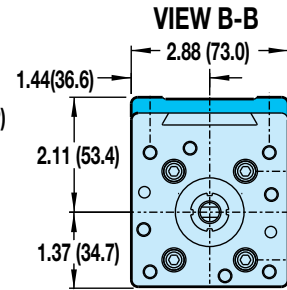
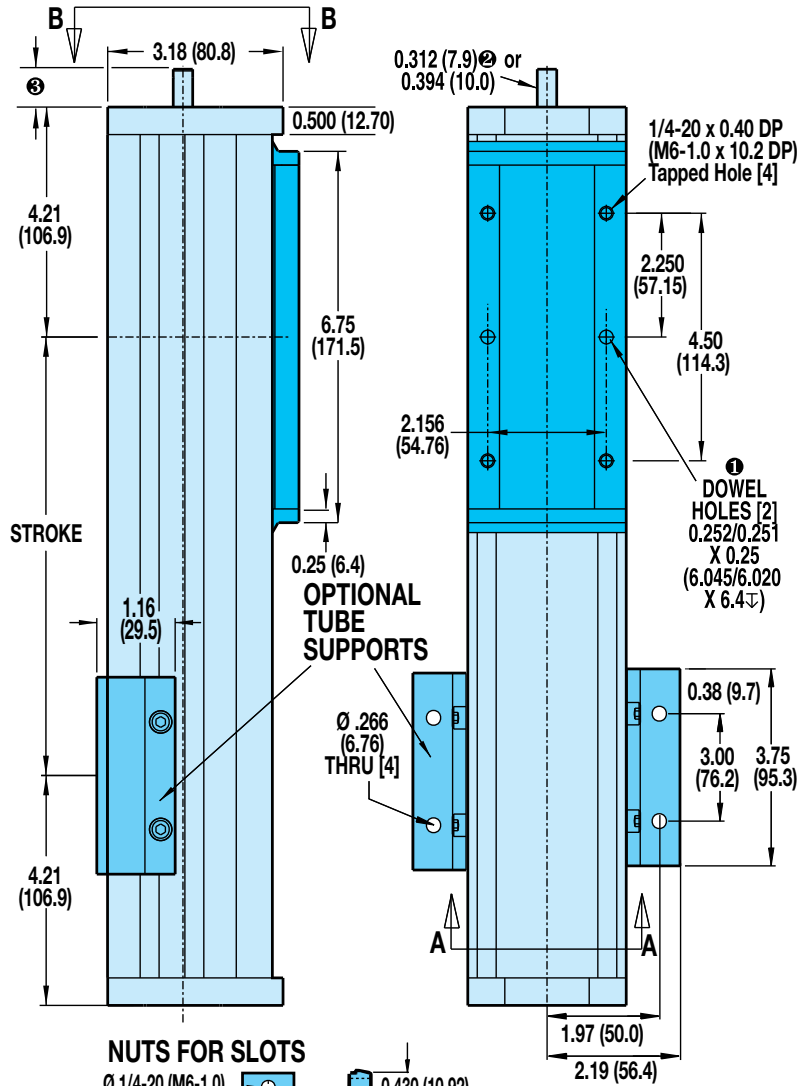
⑥ NOTE: Some actuators require switch mounting on a specific side of the actuator. Call Tolomatic 1-800-328-2174 for details

B3S15 Electric Screw Drive Rodless Actuators

DIMENSIONS Actuator & Options

3D CAD available at www.tolomatic.com

Always use configured CAD solid model to determine critical dimensions



① DOWEL PINS \oplus .003 (08mm) M

② FOR B3S15BN02 & B3S15BNL02

③ SHAFT LENGTH

In-line mounting	0.69 (17.5)
Extended shaft for RP & 23-frame motor	1.99 (50.5)
Extended shaft for RP & 34-frame motor	2.20 (55.9)
Extended shaft for purchases prior to 6/24/02	1.95 (49.5)

⚠ CAUTION: DO NOT OVERTIGHTEN SWITCH HARDWARE WHEN INSTALLING

⑤ NOTE: The scored face of the switch indicates the sensing surface and must face toward the magnet

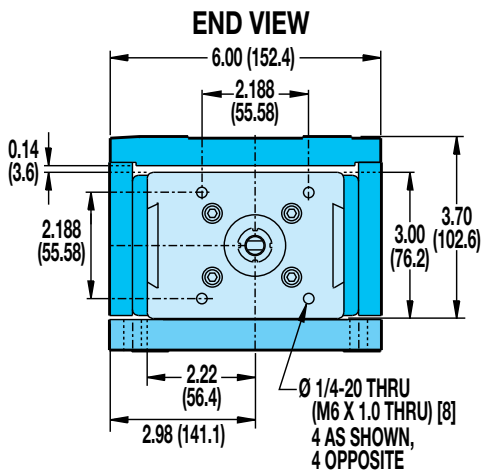
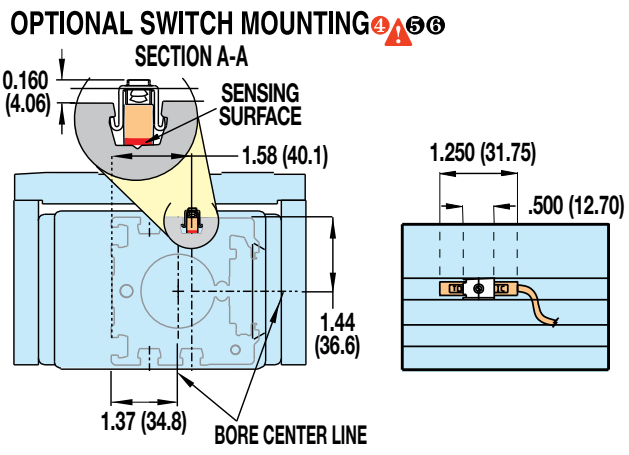
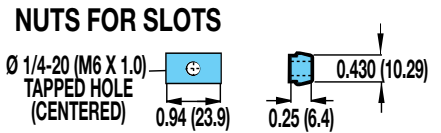
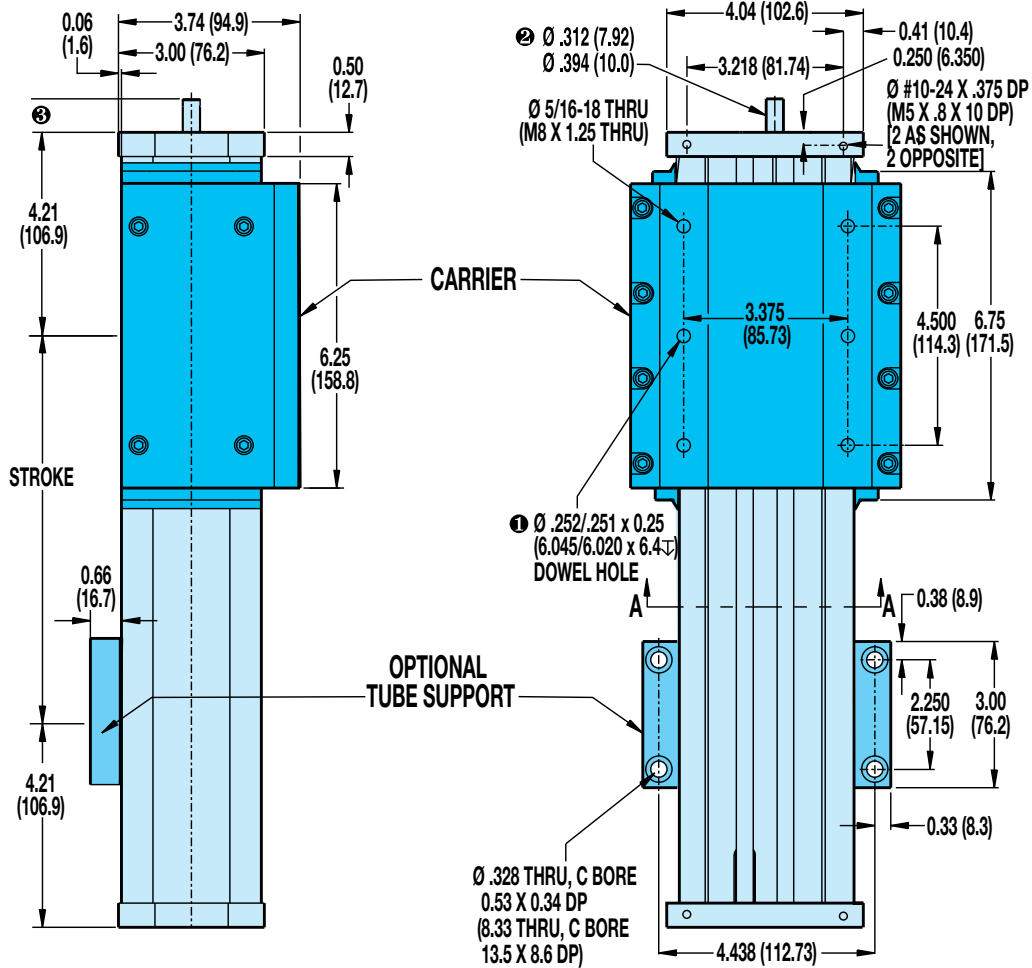
⑥ NOTE: Some actuators require switch mounting on a specific side of the actuator. Call Tolomatic 1-800-328-2174 for details

⑦ LMI with MRS3 is 1" (25.4mm) thick
LMI with all others is 1/2" (12.7mm) thick
RP, (YMH) all motors is 1/2" (12.7mm) thick

Unless otherwise noted, all dimensions shown are in inches (Dimensions in parenthesis are in millimeters)

B3S15 Electric Screw Drive Rodless Actuators

DIMENSIONS Dual 180° Option



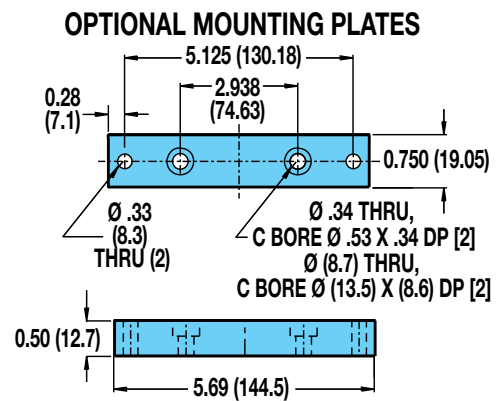
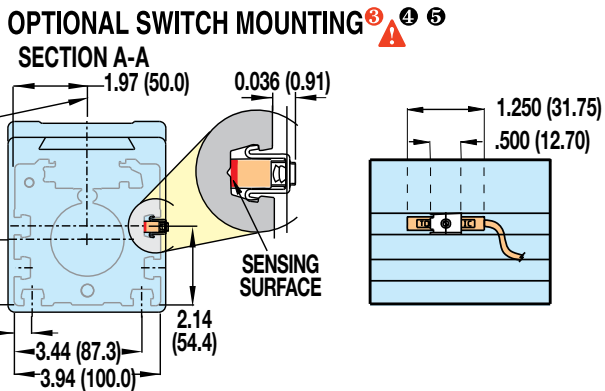
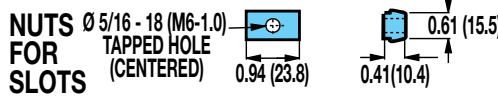
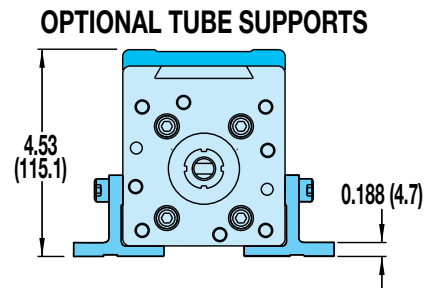
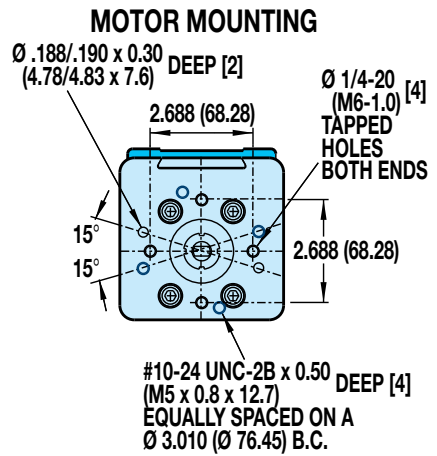
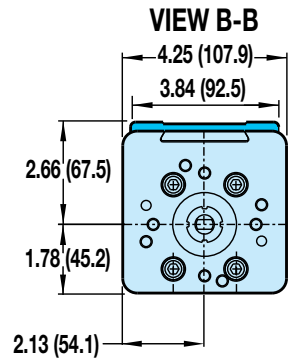
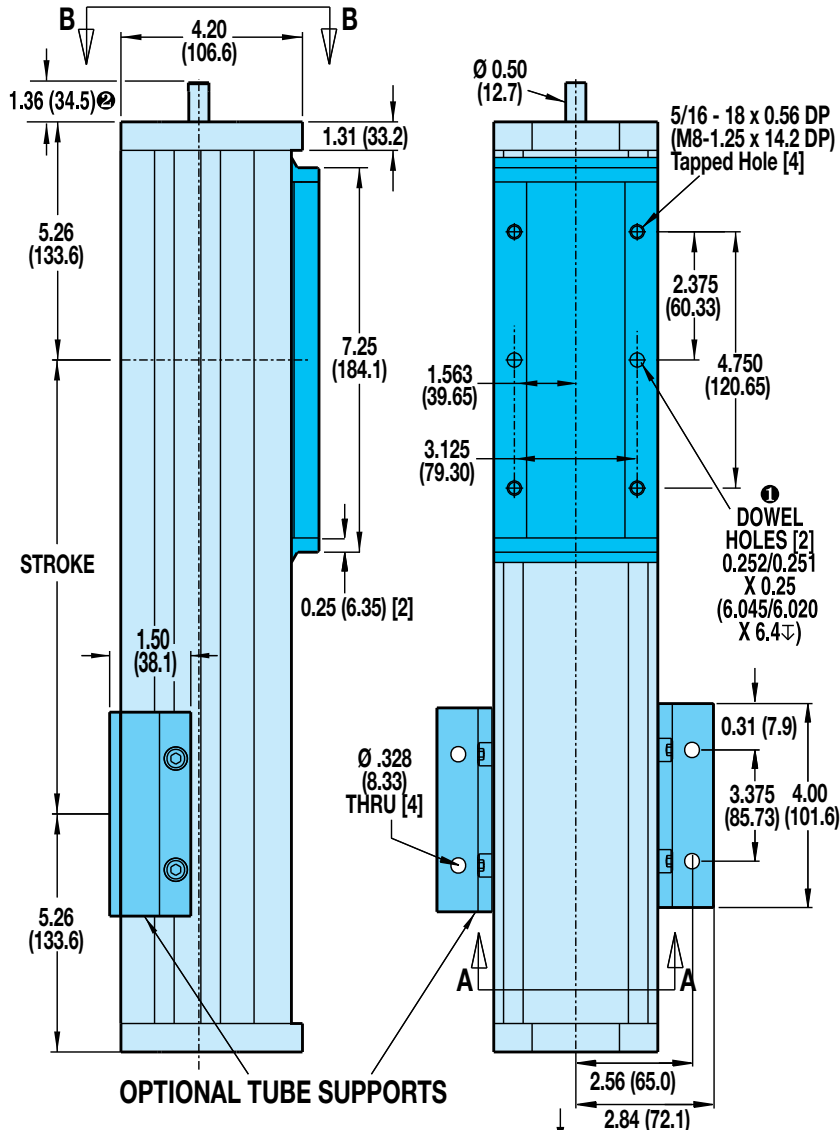
- ① **DOWEL PINS**
 .003 (0.08mm)
 - ② **FOR B3S15BN02 & B3S15BNL02**
 - ③ **SHAFT LENGTH**
 - ④ **CAUTION: DO NOT OVERTIGHTEN SWITCH HARDWARE WHEN INSTALLING**
 - ⑤ **NOTE: The scored face of the switch indicates the sensing surface and must face toward the magnet**
 - ⑥ **NOTE: Some actuators require switch mounting on a specific side of the actuator. Call Tolomatic 1-800-328-2174 for details**
- | | |
|---|-------------|
| In-line mounting | 0.69 (17.5) |
| Extended shaft for RP & 23-frame motor | 1.99 (50.5) |
| Extended shaft for RP & 34-frame motor | 2.20 (55.9) |
| Extended shaft for purchases prior to 6/24/02 | 1.95 (49.5) |

B3S20 Electric Screw Drive Rodless Actuators

DIMENSIONS Actuator & Options

3D CAD available at www.tolomatic.com

Always use configured CAD solid model to determine critical dimensions



- 1 DOWEL PINS $Ø .003$ (0.08mm) [M]
- 2 FOR EXTENDED SHAFT 2.11 (53.6)
- 3 ⚠️ CAUTION: DO NOT OVERTIGHTEN SWITCH HARDWARE WHEN INSTALLING
- 4 NOTE: The scored face of the switch indicates the sensing surface and must face toward the magnet
- 5 NOTE: Some actuators require switch mounting on a specific side of the actuator. Call Tolomatic 1-800-328-2174 for details

B3S

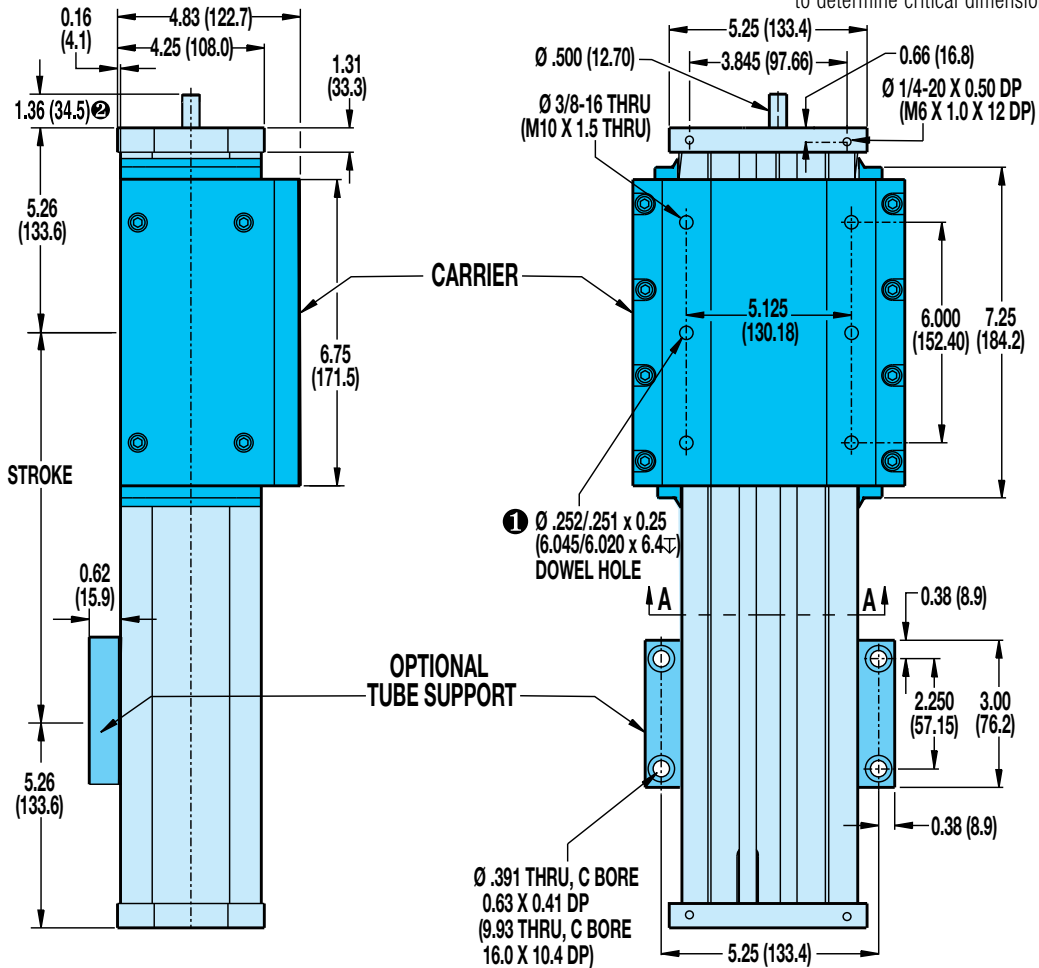
B3W

B3S20 Electric Screw Drive Rodless Actuators

DIMENSIONS Dual 180° Option

3D CAD available at www.tolomatic.com

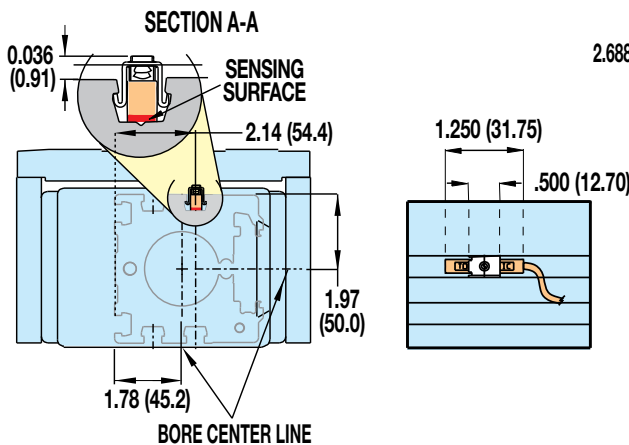
Always use configured CAD solid model to determine critical dimensions



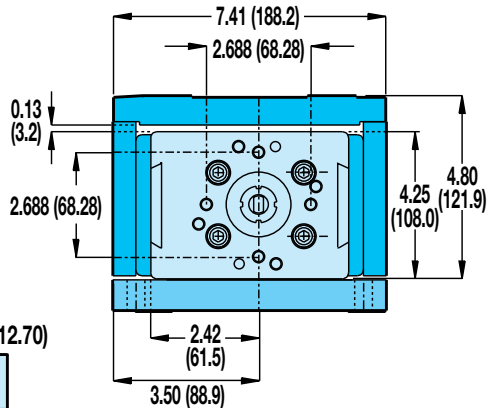
NUTS FOR SLOTS



OPTIONAL SWITCH MOUNTING



END VIEW



- ① DOWEL PINS $\pm .003$ (08mm) (M)
- ② FOR EXTENDED SHAFT 2.11 (53.6)

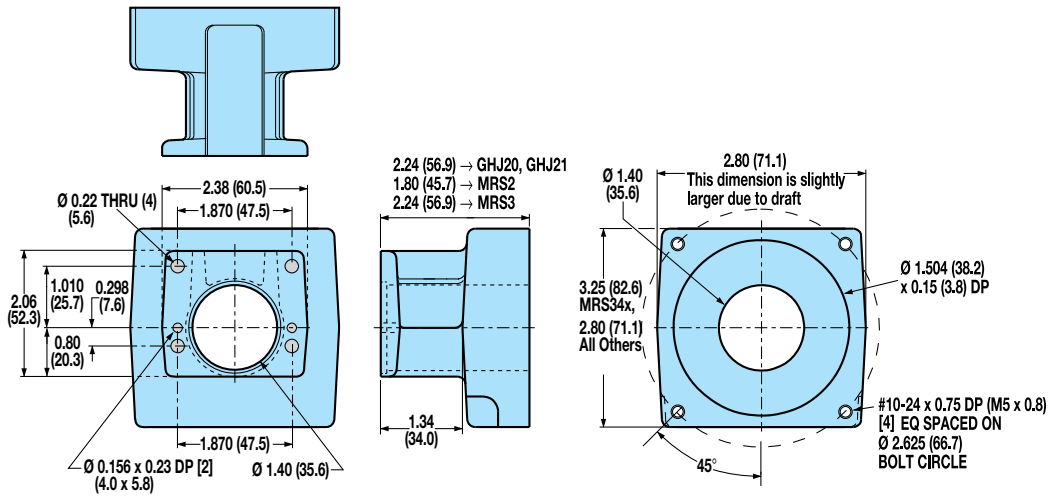
- ⚠ **CAUTION: DO NOT OVERTIGHTEN SWITCH HARDWARE WHEN INSTALLING**
- ④ **NOTE:** The scored face of the switch indicates the sensing surface and must face toward the magnet

- ⑤ **NOTE:** Some actuators require switch mounting on a specific side of the actuator. Call Tolomatic 1-800-328-2174 for details

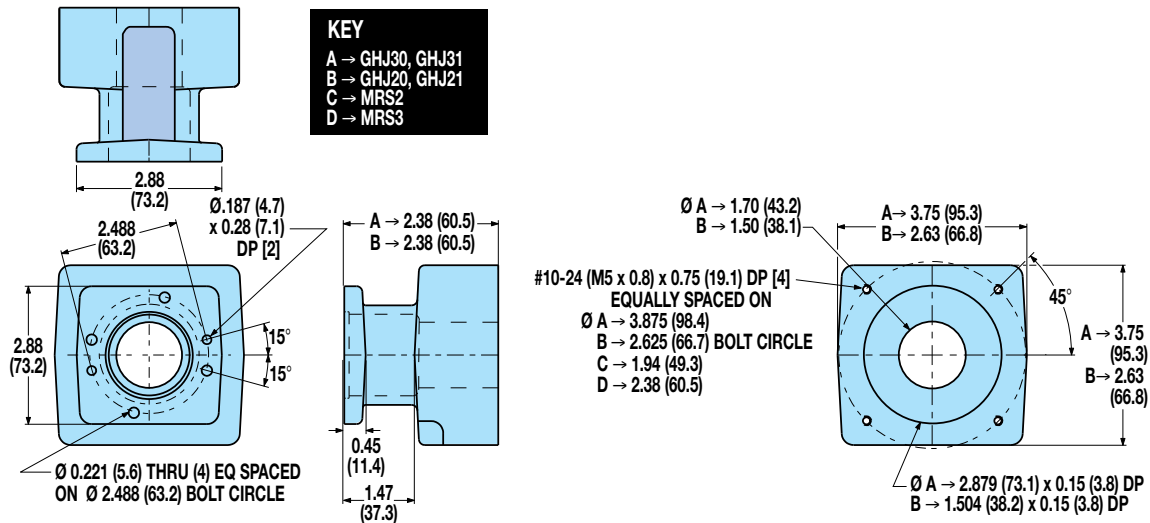
B3S Electric Screw Drive Rodless Actuators

DIMENSIONS Actuator & Options

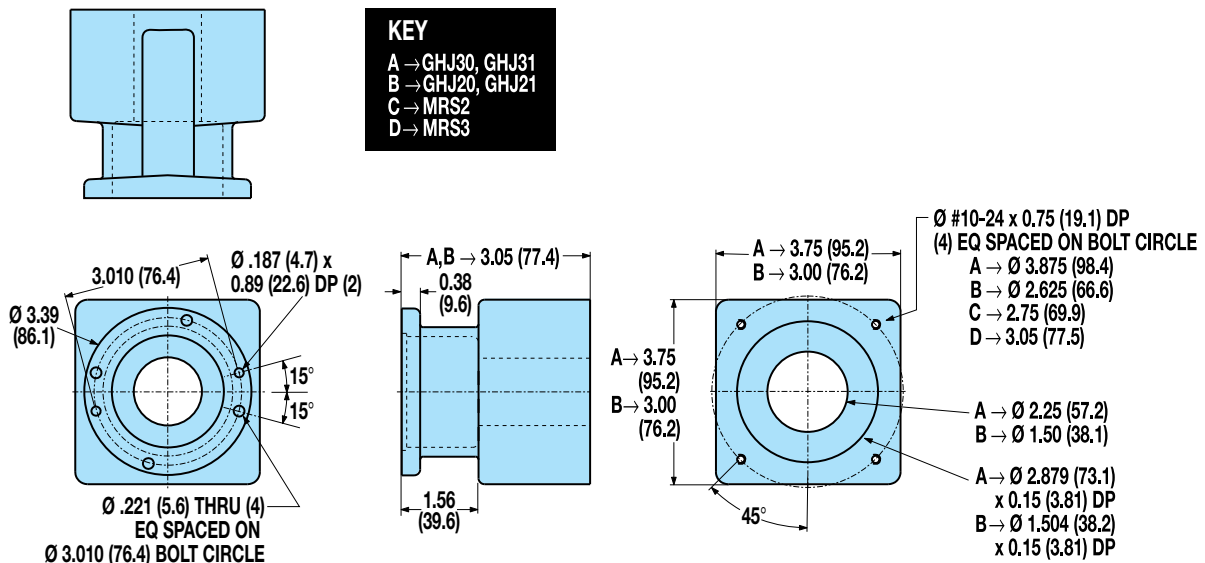
B3S10: IN-LINE MOUNT FOR MOTORS OR GEARBOXES



B3S15: IN-LINE MOUNT FOR MOTORS OR GEARBOXES



B3S20: IN-LINE MOUNT FOR MOTORS OR GEARBOXES



B3S

B3W

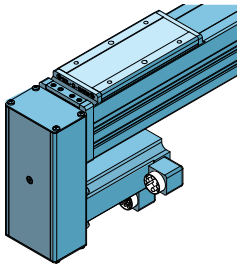
B3S Electric Screw Drive Rodless Actuators

DIMENSIONS Reverse Parallel Mounting

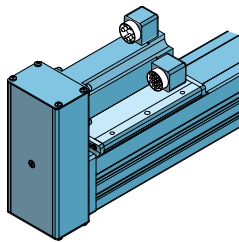
3D CAD available at www.tolomatic.com
Always use configured CAD solid model to determine critical dimensions



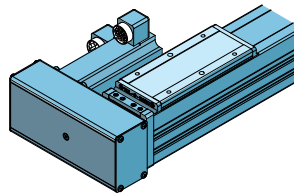
STANDARD CARRIER



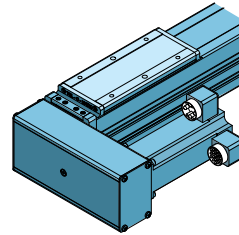
REVERSE-PARALLEL BOTTOM (RPB)
mounting surface shown up



REVERSE-PARALLEL TOP (RPT)*
mounting surface shown up

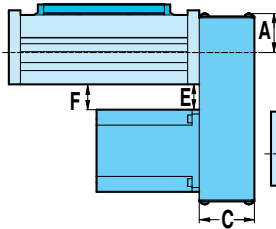


REVERSE-PARALLEL LEFT (RPL)
mounting surface shown up

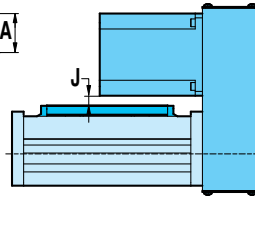


REVERSE-PARALLEL RIGHT (RPR)
mounting surface shown up

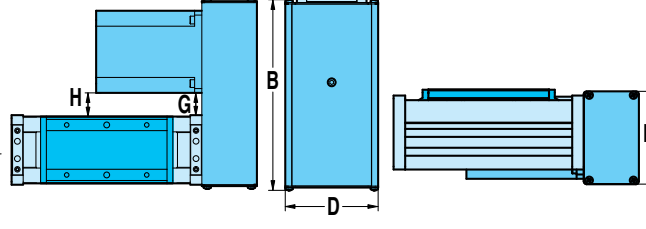
BOTTOM MOUNT



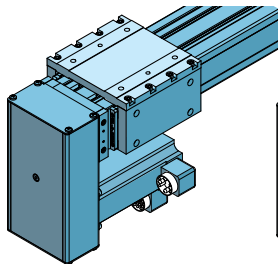
TOP MOUNT



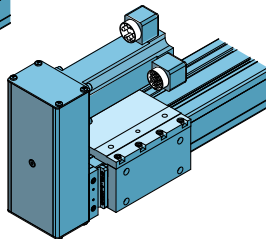
SIDE MOUNT (Right Shown)



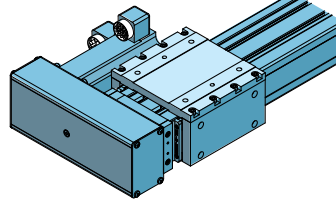
DUAL 180° CARRIER



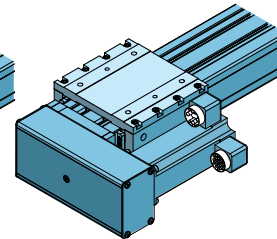
REVERSE-PARALLEL BOTTOM (RPB)
mounting surface shown up



REVERSE-PARALLEL TOP (RPT)*
mounting surface shown up



REVERSE-PARALLEL LEFT (RPL)
mounting surface shown up



REVERSE-PARALLEL RIGHT (RPR)
mounting surface shown up

Reduction Drive Weight

		kg	lb
10	1:1 & 2:1 Ratio	0.93	2.06
	1:1 Ratio	0.98	2.17
15	2:1 Ratio	1.09	2.40
	1:1 Ratio	1.39	3.07
20	2:1 Ratio	1.47	3.23
	1:1 Ratio	1.42	3.13
	1:1 Ratio	1.42	3.13
	2:1 Ratio	1.49	3.29

Reduction Inertia at Motor Shaft

		kg-cm ²	lb-in ²
10	1:1 Ratio	0.2559	0.0875
	2:1 Ratio	0.3291	0.1125
15	1:1 Ratio	0.2043	0.0700
	2:1 Ratio	0.2767	0.0950
20	1:1 Ratio	0.3447	0.1180
	2:1 Ratio	0.2928	0.1000

*NOTE: RPT is generally not recommended because the load may interfere with the motor. Stops or spacers may be required.

Reduction Efficiency: 0.95

Frame Size	A	B	C	D	E	F	G	H	J	
10	23	42.6	178.6	54.0	82.6	45.6	46.8	37.6	38.4	26.9
	15	23	36.6	191.3	54.0	82.6	44.1	44.1	40.8	42.3
15	34	53.8	208.6	60.3	101.6	27.7	27.7	24.4	25.9	8.9
	20	23	63.8	238.4	60.3	101.6	59.5	59.6	50.8	54.7
20	34	63.8	251.5	60.3	101.6	43.2	43.2	34.4	38.4	20.9

Dimensions in millimeters

Frame Size	A	B	C	D	E	F	G	H	J	
10	23	1.68	7.03	2.13	3.25	1.80	1.84	1.48	1.51	1.06
	15	23	1.44	7.53	2.13	3.25	1.74	1.74	1.61	1.67
15	34	2.12	8.21	2.38	4.00	1.09	1.09	0.96	1.02	0.35
	20	23	2.51	9.38	2.38	4.00	2.34	2.35	2.00	2.16
20	34	2.51	9.90	2.38	4.00	1.70	1.70	1.36	1.51	0.82

Dimensions in inches

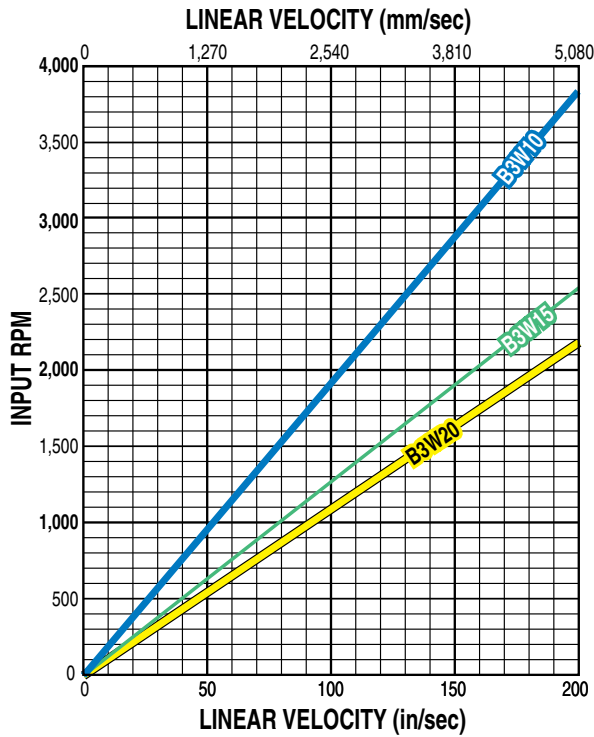
B3W Electric Belt Drive Rodless Actuators

PERFORMANCE

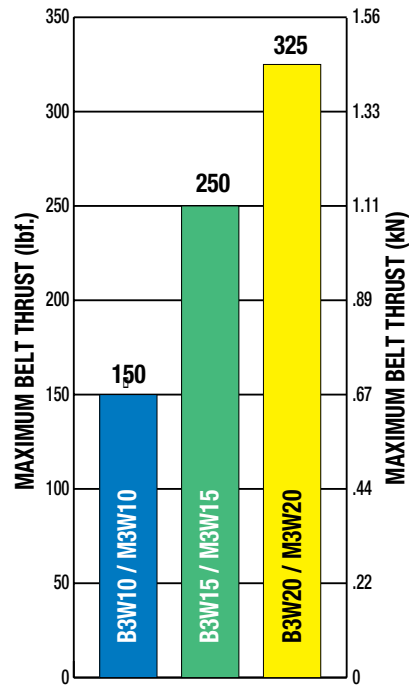
sizeit.tolomatic.com for fast, accurate actuator selection



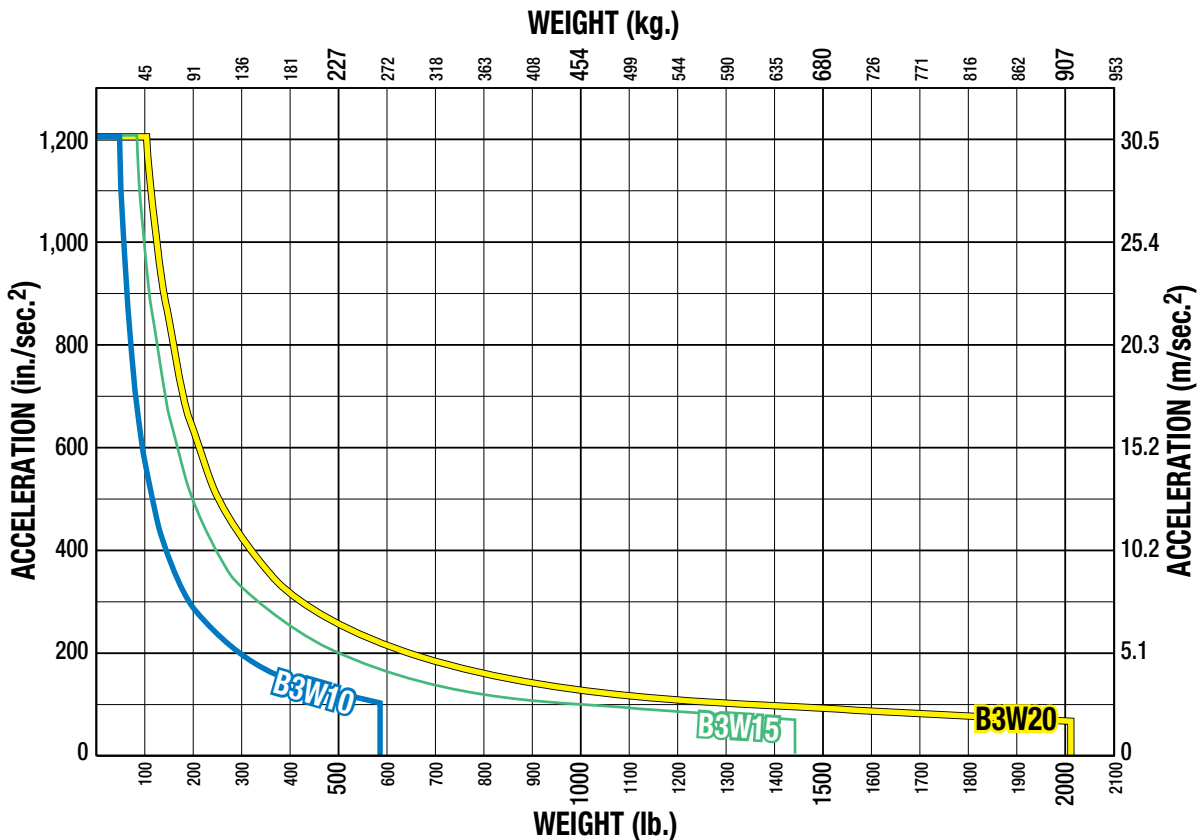
CARRIER SPEED CAPABILITIES



MAXIMUM BELT THRUST



MAXIMUM ACCELERATION AS A FUNCTION OF LOAD WEIGHT



B3S

B3W

B3W Electric Belt Drive Rodless Actuators

SPECIFICATIONS

sizeit.tolomatic.com for fast, accurate actuator selection



		METRIC				INCH (U.S. Conventional)			
		B3W10	B3W15	B3W20		B3W10	B3W15	B3W20	
Max. Stroke	mm	10,465	10,566	8,128	in	412	416	320	
Max. Velocity	m/sec	5.08	5.08	5.08	in/sec	200	200	200	
Max. Acceleration	m/sec ²	30.48	30.48	30.48	in/sec ²	1,200	1,200	1,200	
Max. Input Torque	N-m	8.5	21.2	32.2	lb-in	75.2	188.0	285.0	
Breakaway Torque	Standard (single) Carrier	N-m	1.06	1.41	3.18	lb-in	9.38	12.5	28.13
	Dual 180° or Aux. Carrier	N-m	1.34	1.69	3.53	lb-in	11.88	15	31.25
	Dual 180 & Aux Carrier	N-m	1.91	2.82	5.37	lb-in	16.88	25	47.5

Pulley Pitch Dia.	mm	25.48	38.2	44.55	in	1.003	1.504	1.754
Stroke per Rev.	mm/rev	80.04	120.02	139.95	in/rev	3.151	4.725	5.51

Repeatability	mm	+/- 0.05	+/- 0.05	+/- 0.05	in	+/- 0.002	+/- 0.002	+/- 0.002
Straightness & Flatness¹	mm	0.017 x L*	0.017 x L*	0.017 x L*	in	0.00067 x L*	0.00067 x L*	0.00067 x L*

Temp. Range²	°C	4 - 54	4 - 54	4 - 54	°F	40 - 130	40 - 130	40 - 130
IP Rating³	IP	44	44	44	IP	44	44	44

Weight (zero stroke)	kg	3.42	11.39	16.06	lb	7.54	25.12	35.4
Weight (per unit of stroke)	kg/mm	0.0069	0.0071	0.0128	lb/in	0.389	0.395	0.716
Weight of pulley	kg	0.0068	0.0244	0.047	lb	0.015	0.054	0.1036
Weight of carrier	kg	0.39	0.71	0.97	lb	0.85	1.56	2.14

Inertia (zero stroke)	kg-cm ²	0.833	4.073	7.786	lb-in ²	0.2846	1.3917	2.6607
Inertia (per unit of stroke)	kg-cm ² /mm	0.00018	0.0002	0.00131	lb-in ² /in	0.0016	0.0017	0.0114
Inertia of pulley	kg-cm ²	0.027	0.219	0.422	lb-in ²	0.0093	0.0748	0.1441
Inertia of carrier	kg-cm ²	0.305	1.489	2.847	lb-in ²	0.1041	0.5089	0.9728



¹ The listed values relating to straightness/flatness are intended for reference purposes only, and not as an engineering standard of absolute tolerance for a given actuator. Appropriate installation is the single most important factor in reducing such deviation, so good engineering practices such as measurement, mapping, etc. must be employed in applications with stringent straightness/flatness requirements.

² Heat generated by the motor and drive should be taken into consideration as well as linear velocity and work cycle time. For applications that require operation outside of the recommended temperature range, contact the factory.

³ Protected against ingress of solid particles greater than 1 mm (.039 in) and splashing water. *L" is maximum distance between supports - See Support Recommendations graph pg B3 9.

LARGE FRAME MOTORS AND SMALLER SIZE ACTUATORS: Cantilevered motors need to be supported if subjected to continuous rapid reversing duty and/or under dynamic conditions.

NOTE: Zero stroke inertia and weight are for an assembled actuator (including carrier, pulley and belt material) that has zero stroke length. To calculate system inertia use the formula below:

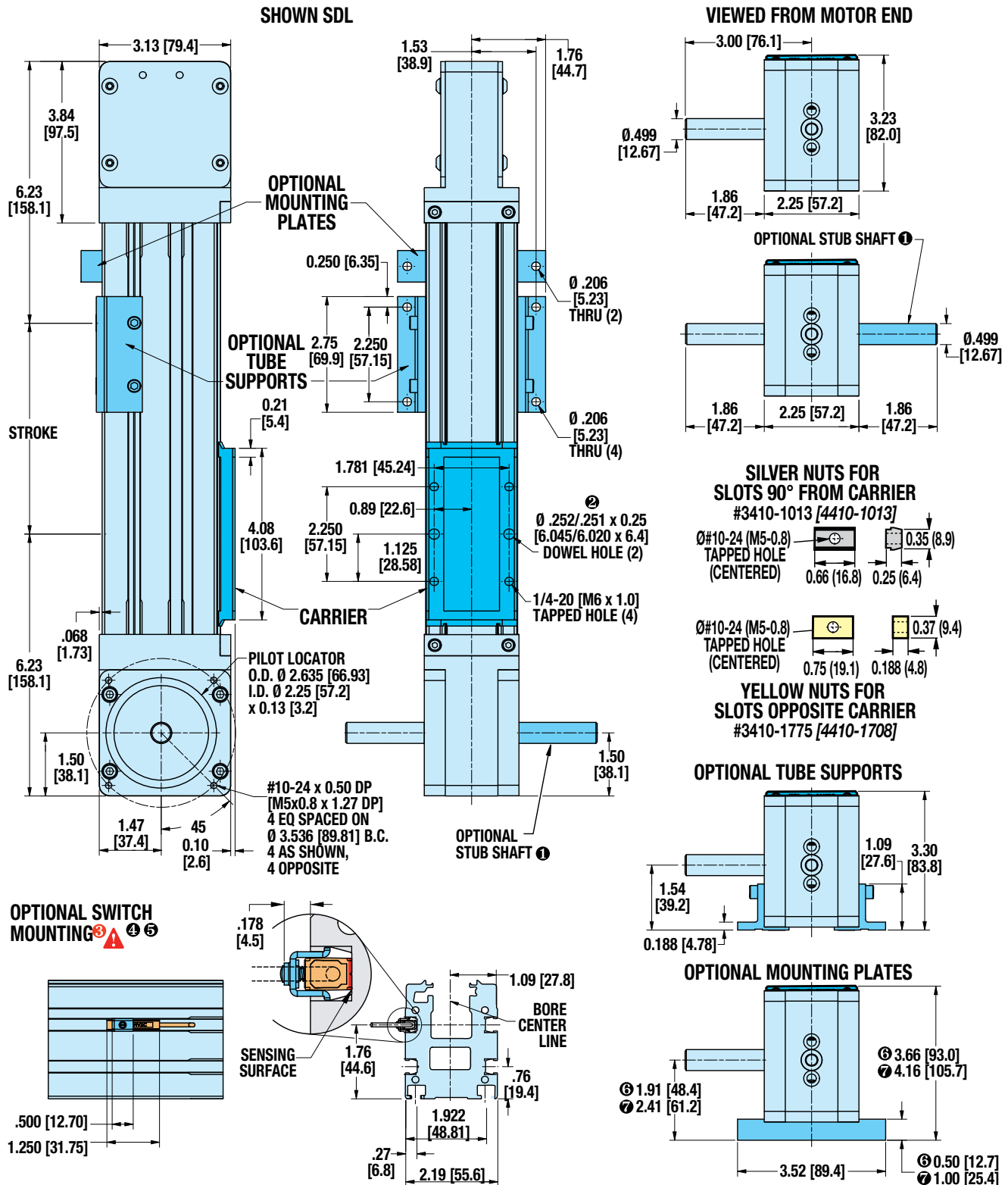
$$\text{System Inertia} = \text{Inertia of motor} + \text{Inertia of pulley} + \text{Inertia of carrier} \times \text{number of units}$$

B3W10 Electric Belt Drive Rodless Actuators

DIMENSIONS Actuator & Options

3D CAD available at www.tolomatic.com

Always use configured CAD solid model to determine critical dimensions



B3S

B3W

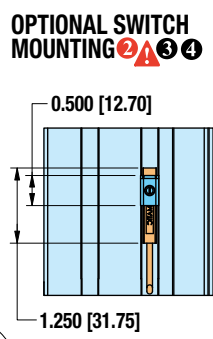
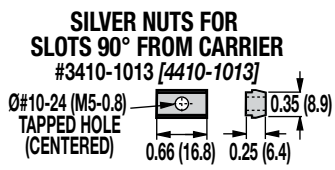
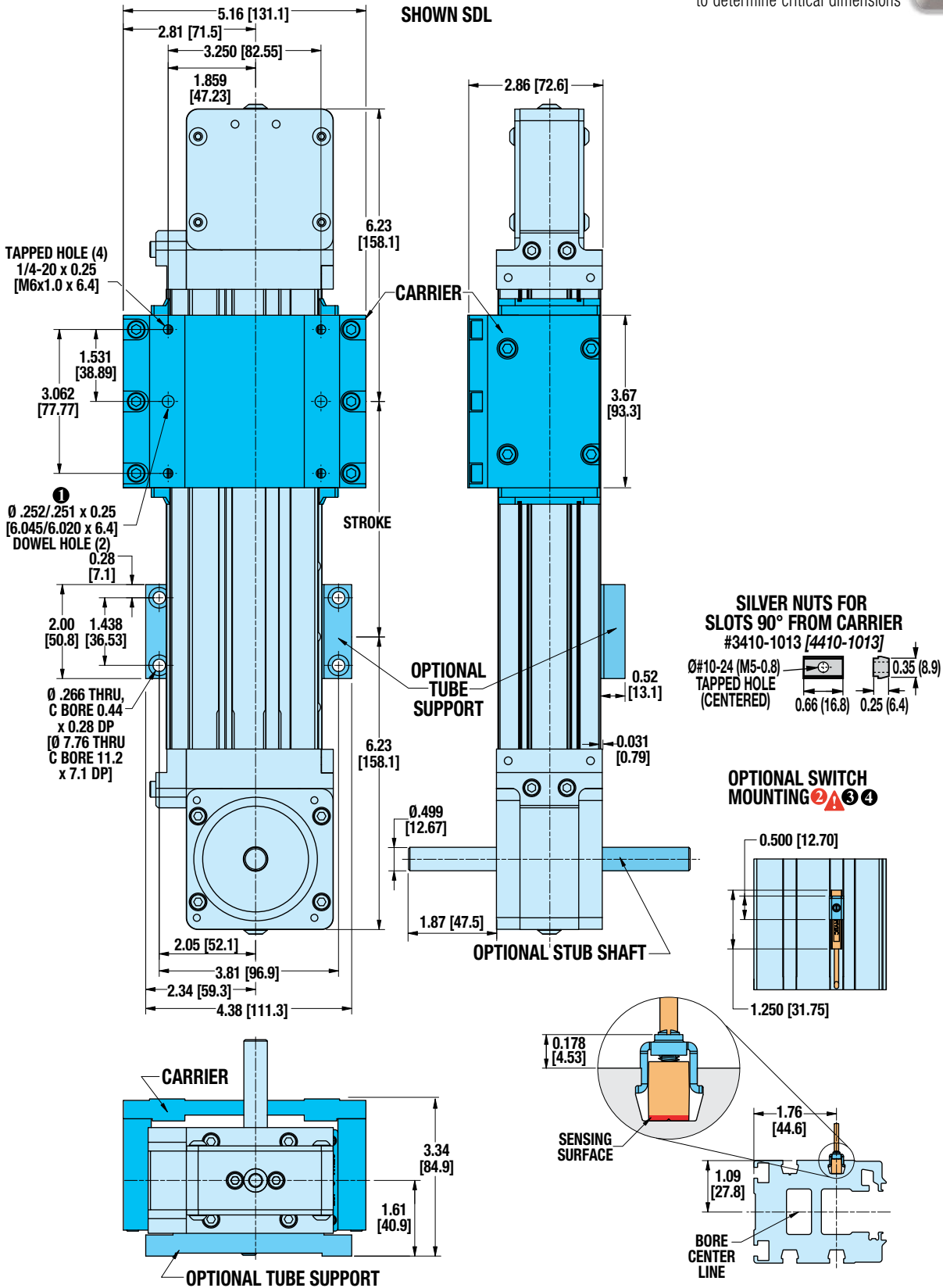
Unless otherwise noted, all dimensions shown are in inches [Dimensions in brackets are in millimeters]

B3W10 Electric Belt Drive Rodless Actuators

DIMENSIONS Dual 180° Option

3D CAD available at www.tolomatic.com

Always use configured CAD solid model to determine critical dimensions



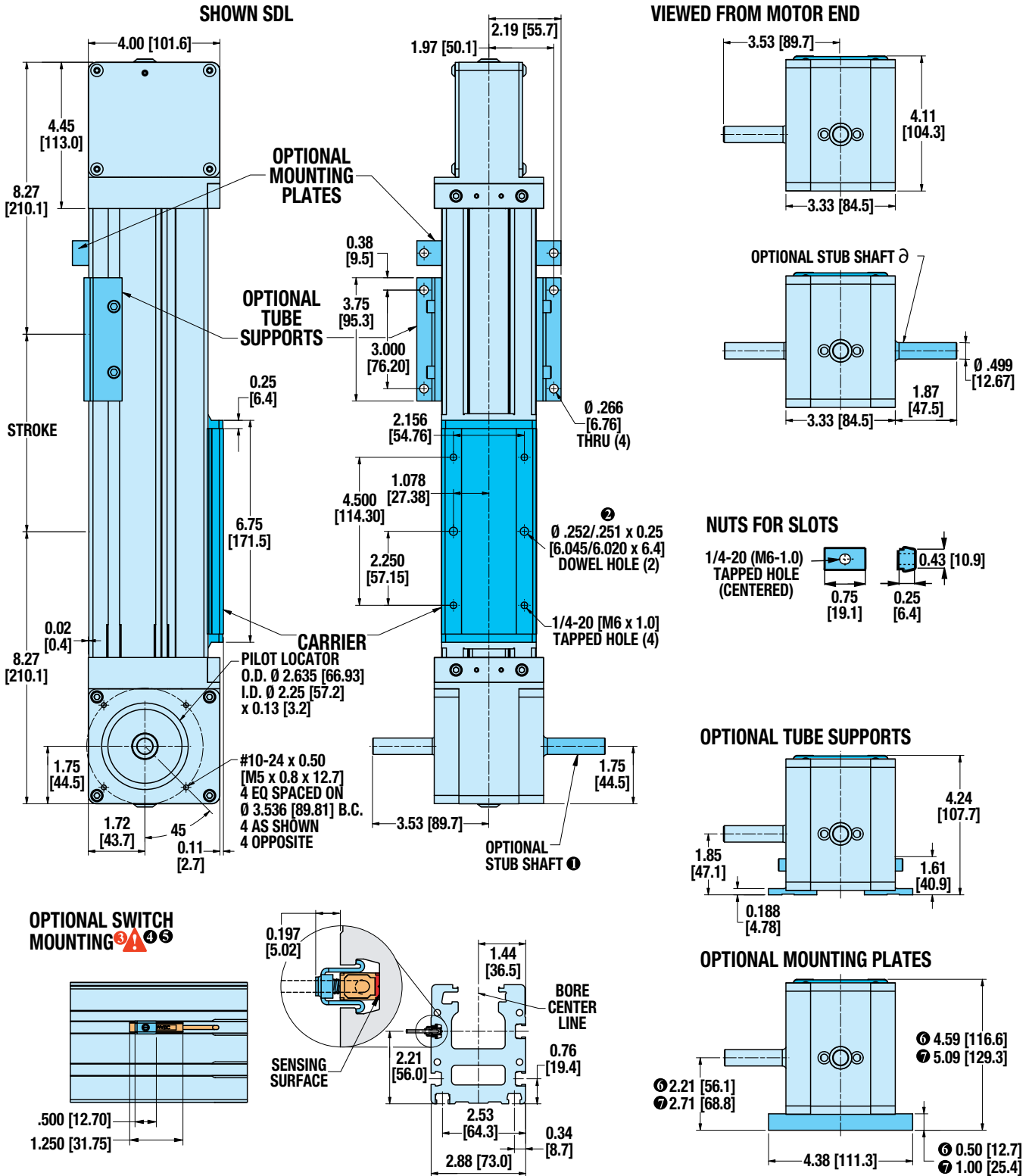
- ① DOWEL PINS $\text{⊕} \text{ } .003 \text{ (} .08\text{mm)} \text{ } \text{Ⓜ}$
- ② CAUTION: DO NOT OVERTIGHTEN SWITCH HARDWARE WHEN INSTALLING
- ③ NOTE: The scored face of the switch indicates the sensing surface and must face toward the magnet
- ④ NOTE: Some actuators require switch mounting on a specific side of the actuator. Call Tolomatic 1-800-328-2174 for details

B3S

B3W

B3W15 Electric Belt Drive Rodless Actuators

DIMENSIONS Actuator & Options



① ONE STUB SHAFT IS STANDARD ON ALL B3W ACTUATORS

② DOWEL PINS $\text{⊕} \text{.003 (0.08mm)} \text{Ⓜ}$

⚠ CAUTION: DO NOT OVERTIGHTEN SWITCH HARDWARE WHEN INSTALLING

④ NOTE: The scored face of the switch indicates the sensing surface and must face toward the magnet

⑤ NOTE: Some actuators require switch mounting on a specific side of the actuator. Call Tolomatic 1-800-328-2174 for details

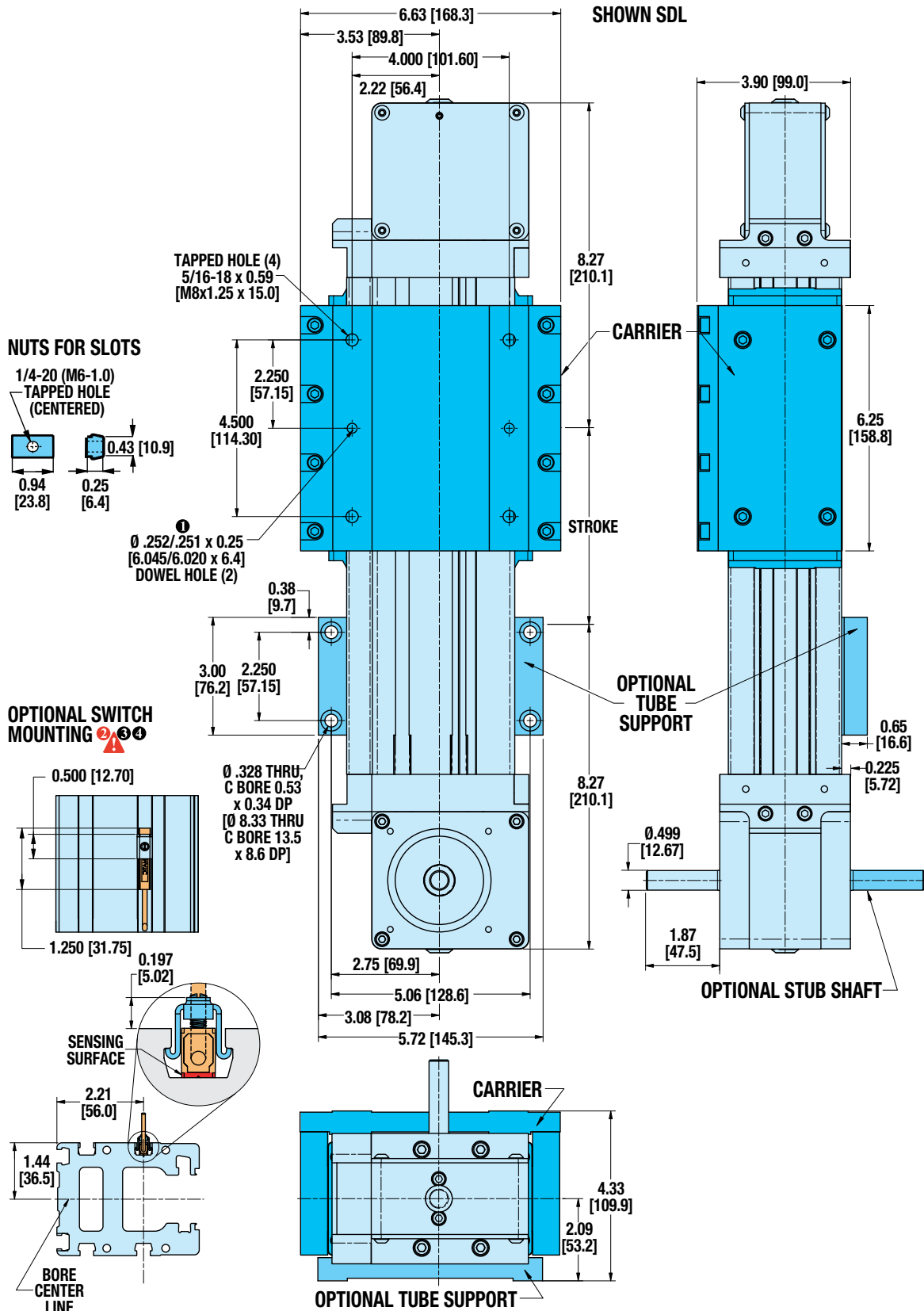
⑥ WHEN USED WITH 23-FRAME MOTORS

⑦ WHEN USED WITH 34-FRAME MOTORS

Unless otherwise noted, all dimensions shown are in inches [Dimensions in brackets are in millimeters]

B3W15 Electric Belt Drive Rodless Actuators

DIMENSIONS Dual 180° Option



① DOWEL PINS $\pm .003$ (.08mm) (M)

⚠ **CAUTION: DO NOT OVERTIGHTEN SWITCH HARDWARE WHEN INSTALLING**

② **NOTE:** The scored face of the switch indicates the sensing surface and must face toward the magnet

③ **NOTE:** Some actuators require switch mounting on a specific side of the actuator. Call Tolomatic 1-800-328-2174 for details

B3S

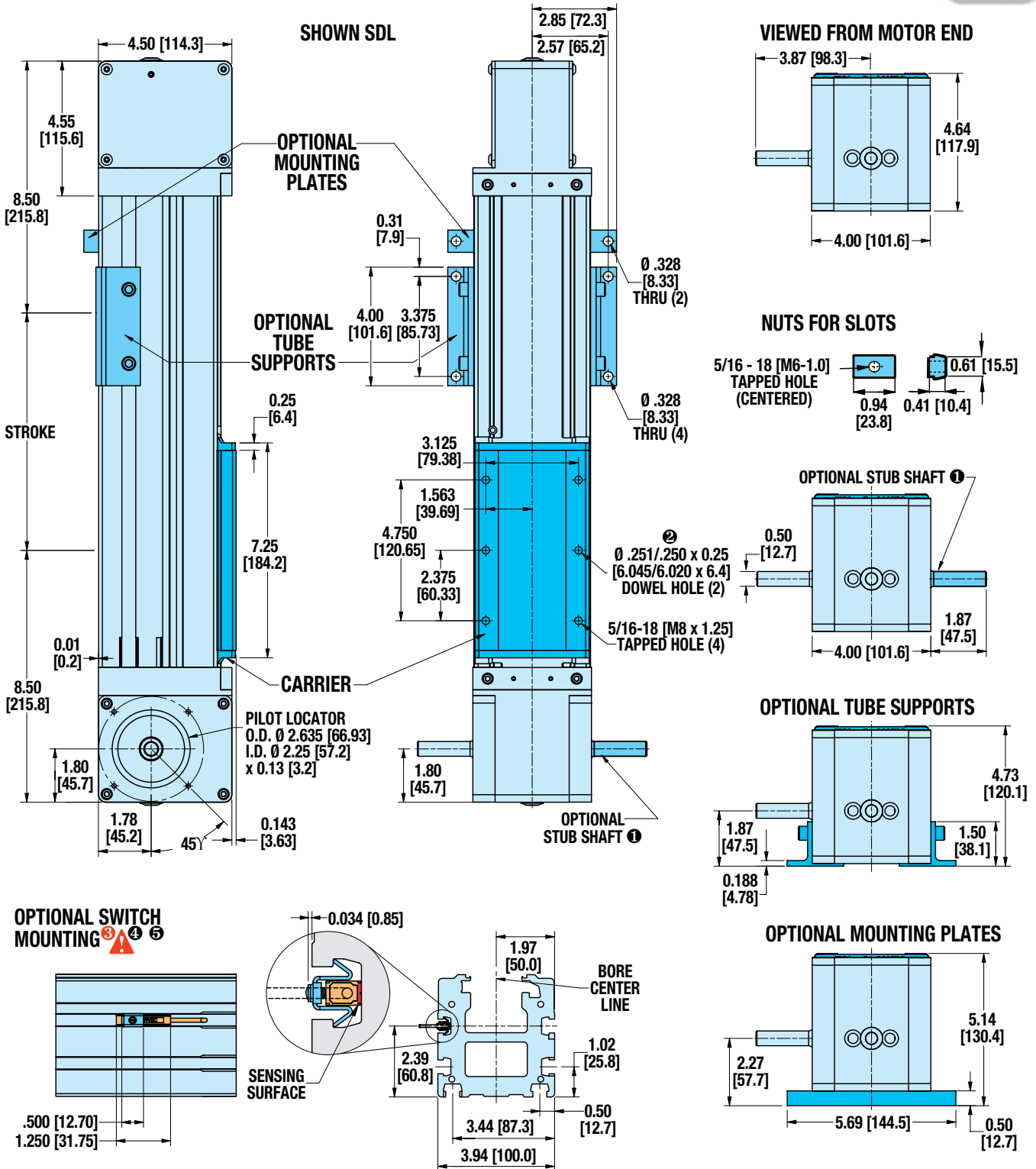
B3W

B3W20 Electric Belt Drive Rodless Actuators

DIMENSIONS Actuator & Options

3D CAD available at www.tolomatic.com

Always use configured CAD solid model to determine critical dimensions



B3S

B3W

① ONE STUB SHAFT IS STANDARD ON ALL B3W ACTUATORS

⚠ **CAUTION: DO NOT OVERTIGHTEN SWITCH HARDWARE WHEN INSTALLING**

⑤ NOTE: Some actuators require switch mounting on a specific side of the actuator. Call Tolomatic 1-800-328-2174 for details

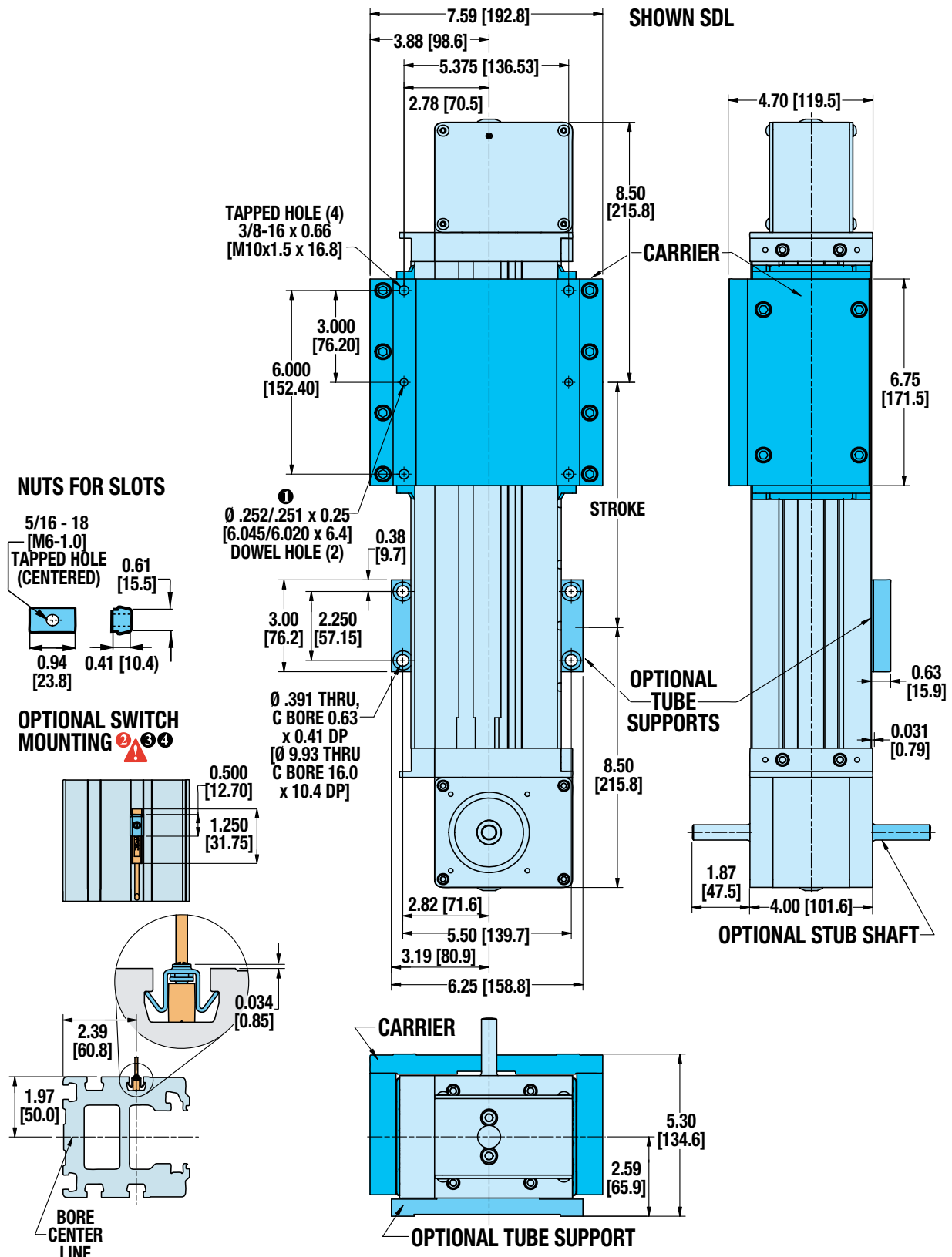
② DOWEL PINS $\oplus .003 (.08\text{mm}) \text{M}$

④ NOTE: The scored face of the switch indicates the sensing surface and must face toward the magnet

Unless otherwise noted, all dimensions shown are in inches [Dimensions in brackets are in millimeters]

B3W20 Electric Belt Drive Rodless Actuators

DIMENSIONS Dual 180° Option



① DOWEL PINS $\pm .003 (.08\text{mm})$ (M)

② **CAUTION: DO NOT OVERTIGHTEN SWITCH HARDWARE WHEN INSTALLING**

③ NOTE: The scored face of the switch indicates the sensing surface and must face toward the magnet

④ NOTE: Some actuators require switch mounting on a specific side of the actuator. Call Tolomatic 1-800-328-2174 for details

B3W Electric Belt Drive Rodless Actuators

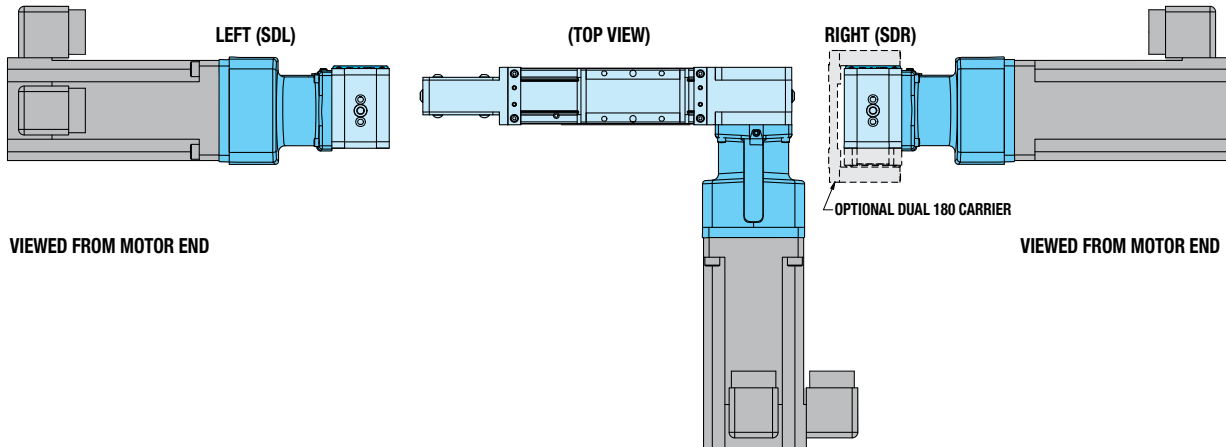
MOTOR MOUNTING

3D CAD available at www.tolomatic.com

Always use configured CAD solid model to determine critical dimensions

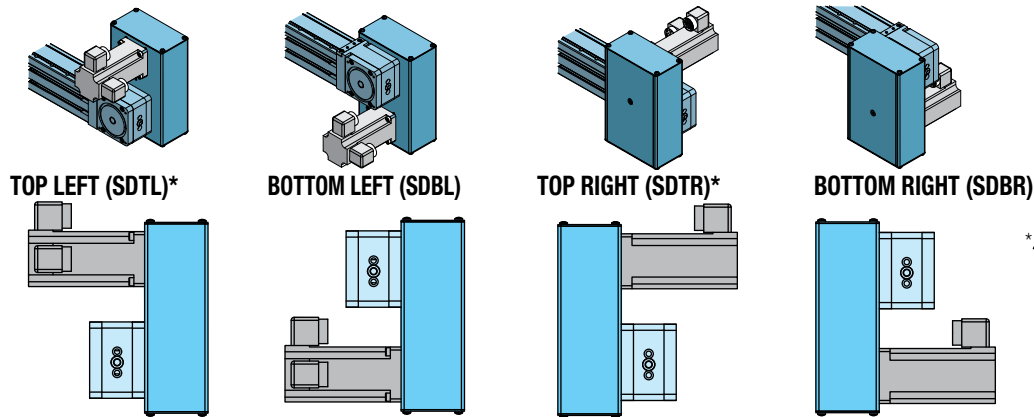


B3W DIRECT DRIVE MOTOR MOUNTING



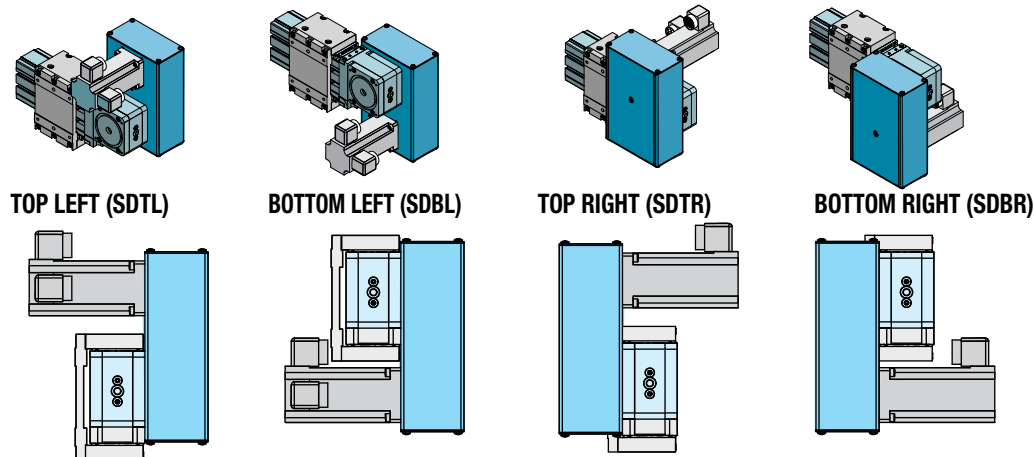
B3W(D) REDUCTION DRIVE MOTOR MOUNTING

STANDARD CARRIER



*▲ NOTE: SDTL & SDTR are generally not recommended because the load may interfere with the motor. Stops or spacers may be required.

DUAL 180° CARRIER

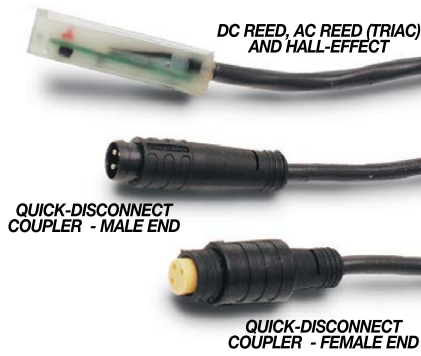


B3S

B3W

B3S & B3W Electric Rodless Actuators

SWITCHES



There are 10 sensing choices: DC reed, form A (open) or form C (open or closed); AC reed (Triac, open); Hall-effect, sourcing, PNP (open); Hall-effect, sinking, NPN (open); each with either flying leads or QD (quick disconnect). Commonly used to send analog signals to PLC (programmable logic controllers), TLL, CMOS circuit or other controller device. These switches are activated by the actuator's magnet.

Switches contain reverse polarity protection. QD cables are shielded; shield should be terminated at flying lead end.

If necessary to remove factory installed switches, be sure to reinstall on the same side of actuator with scored face of switch toward internal magnet.

SPECIFICATIONS

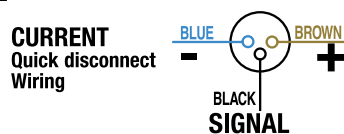
ORDER CODE	REED DC				REED AC		HALL-EFFECT DC			
	RT	RM	BT	BM	CT	CM	TT	TM	KT	KM
LEAD	5m	QD*	5m	QD*	5m	QD*	5m	QD*	5m	QD*
CABLE SHIELDING	Unshielded	Shielded†	Unshielded	Shielded†	Unshielded	Shielded†	Unshielded	Shielded†	Unshielded	Shielded†
SWITCHING LOGIC	"A" Normally Open		"C" Normally Open or Closed		Triac Normally Open		PNP (Sourcing) Normally Open		NPN (Sinking) Normally Open	
MECHANICAL CONTACTS	Single-Pole Single-Throw		Single-Pole Double-Throw		Single-Pole Single-Throw		NO, These Are Solid State Components			
COIL DIRECT	Yes		Yes		Yes		—			
POWER LED	None		None		None		None		None	
SIGNAL LED	Red		None		None		Red		Red	
OPERATING VOLTAGE	200 Vdc max.		120 Vdc max.		120 Vac max.		5 - 25 Vdc			
OUTPUT RATING	—		—		—		25 Vdc, 200mA dc			
OPERATING TIME	0.6 msec max. (including bounce)		0.7 msec max. (including bounce)		—		< 10 micro sec.			
OPERATING TEMPERATURE	-40°F [-40°C] to 158°F [70°C]						0°F [-18°C] to 150°F [66°C]			
RELEASE TIME	1.0 msec. max.		—		—		—			
ON TRIP POINT	—		—		—		150 Gauss maximum			
OFF TRIP POINT	—		—		—		40 Gauss minimum			
**POWER RATING (WATTS)	10.0 §		3.0 §§		10.0		5.0			
VOLTAGE DROP	2.6 V typical at 100 mA		NA		—		—			
RESISTANCE	0.1 Ω Initial (Max.)		—		—		—			
CURRENT CONSUMPTION	—		—		1 Amp at 86°F [30°C]	0.5 Amp at 140°F [60°C]	200 mA at 25 Vdc			
FREQUENCY	—		—		47 - 63 Hz		—			
CABLE MIN. BEND RADIUS	STATIC	0.630" [16mm]								
	DYNAMIC	Not Recommended								

⚠ CAUTION: DO NOT OVER TIGHTEN SWITCH HARDWARE WHEN INSTALLING!

⚠ ** WARNING: Do not exceed power rating (Watt = Voltage X Amperage). Permanent damage to sensor will occur.

*QD = Quick Disconnect; Male coupler is located 6" [152mm] from sensor, Female coupler to flying lead distance is 197" [5m] also see Cable Shielding specification above

⚠ REPLACEMENT OF QD SWITCHES MANUFACTURED BEFORE JULY 1, 1997: It will be necessary to replace or rewire the female end coupler.



Reed Switch Life Expectancy: Up to 200,000,000 cycles (depending on load current, duty cycle and environmental conditions)

†Shielded from the female quick disconnect coupler to the flying leads. Shield should be terminated at flying lead end.

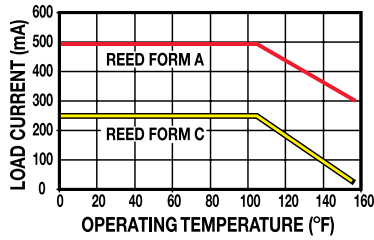
§ Maximum current 500mA (not to exceed 10VA) Refer to Temperature vs. Current graph and Voltage Derating graph

B3S & B3W Electric Rodless Actuators

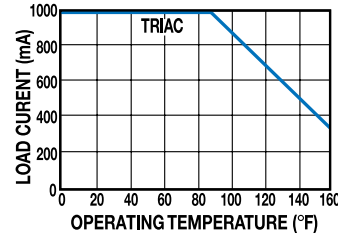
SWITCH PERFORMANCE

PERFORMANCE

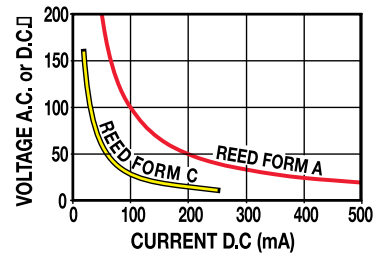
TEMP. vs CURRENT, DC REED



TEMP. vs CURRENT, AC REED

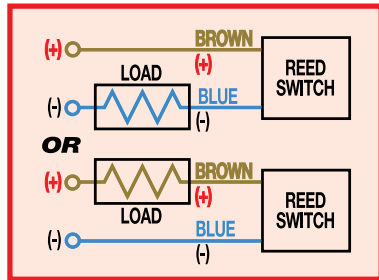


VOLTAGE DERATING, DC REED

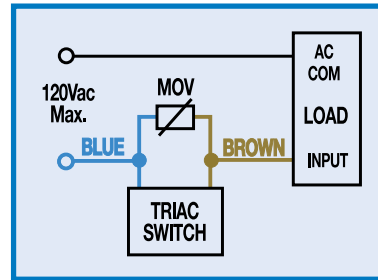


WIRING DIAGRAMS

RT & **R**M DC REED, FORM A



CT & **C**M AC REED, TRIAC

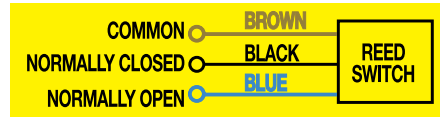


INSTALLATION INFORMATION

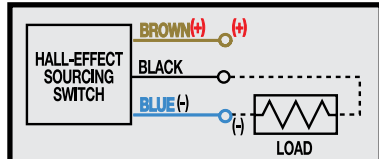


⚠ THE NOTCHED FACE OF THE SWITCH INDICATES THE SENSING SURFACE AND MUST FACE TOWARD THE MAGNET.

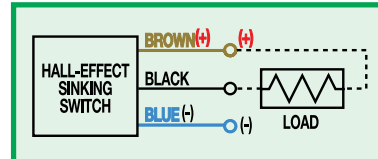
BT & **B**M DC REED, FORM C



TT & **T**M HALL-EFFECT, SOURCING, PNP



KT & **K**M HALL-EFFECT, SINKING, NPN



⚠ THE NOTCHED GROOVE IN THE ACTUATOR INDICATES THE GROOVE TO INSTALL THE SWITCH. CONTACT TOLOMATIC IF SWITCHES ARE REQUIRED ON ANOTHER SIDE OF ACTUATOR.

B3S

B3W

COMPILE APPLICATION REQUIREMENTS

ORIENTATION

Horizontal Side Horizontal Down Vertical Angled °

Load attached to carrier OR Load supported by other mechanism

DISTANCE FROM CENTER OF CARRIER TO LOAD CENTER OF GRAVITY

d_x _____
 d_y _____
 d_z _____

inch (U.S. Standard) millimeter (Metric)

STROKE LENGTH

inch (S, K) (U.S. Standard) millimeters (Metric)

NOTE: If load or force on carrier changes during cycle use the highest numbers for calculations

LOAD

lb. (U.S. Standard) kg. (Metric)

THRUST REQUIRED

lbf. (U.S. Standard) N (Metric)

F_z _____
 F_y _____

BENDING MOMENTS APPLIED TO CARRIER

in.-lbs. (U.S. Standard) N-m (Metric)

PRECISION

Repeatability _____
 inch millimeters

OPERATING ENVIRONMENT

Temperature, Contamination, etc.

MOVE PROFILE

Move Distance _____
 inch millimeters
 Dwell Time After Move _____
 Max. Speed _____
 in/sec mm/sec

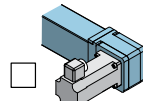
MOVE TIME

sec

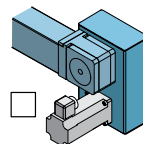
NO. OF CYCLES

per minute per hour

BELT DRIVE

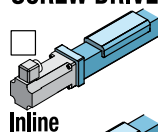


Direct Drive

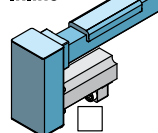


Reduction Drive

SCREW DRIVE

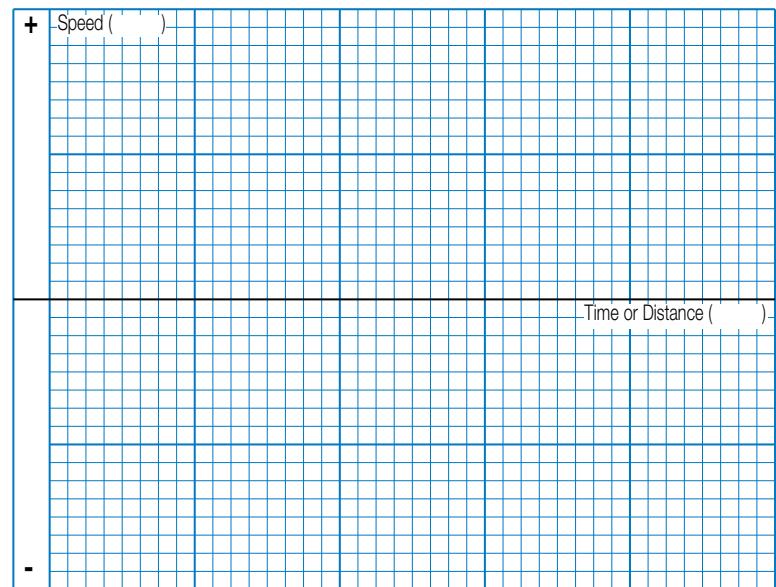


Inline



Reverse Parallel

MOTION PROFILE



Graph your most demanding cycle, including accel/decel, velocity and dwell times. You may also want to indicate load variations and I/O changes during the cycle. Label axes with proper scale and units.

sizeit.tolomatic.com
 for fast, accurate
 actuator selection

USE THE TOLOMATIC SIZING AND SELECTION SOFTWARE AVAILABLE ON-LINE AT www.tolomatic.com OR... CALL TOLOMATIC AT 1-800-328-2174.

We will provide any assistance needed to determine the proper actuator for the job.

FAX 1-763-478-8080

EMAIL help@tolomatic.com

CONTACT INFORMATION

Name, Phone, Email
 Co. Name, Etc.

SELECTION GUIDELINES

The process of selecting a load bearing actuator for a given application can be complex. It is highly recommended that you contact Tolomatic or a Tolomatic Distributor for assistance in selecting the best actuator for your application. The following overview of the selection guidelines are for educational purposes only.

1 CHOOSE ACTUATOR SIZE

Choose an actuator that has the (A) thrust, (B) speed and (C) moment load capacity to move the load. **A.**

Max Thrust: B3S see page B3_11;

B3W see page B3_25

B. Max. Speed: B3S see critical speed graphs page B3_13 to B3_15; All B3W

sizes = 200 in/sec (5m/sec).

C. Moment & Load B3S & B3W see page B3_8

2 COMPARE LOAD TO MAXIMUM LOAD CAPACITIES

Calculate the application load (combination of load mass and forces applied to the carrier) and application bending moments (sum of all moments M_x , M_y , and M_z applied to the carrier). Be sure to evaluate the magnitude of dynamic inertia moments. When a rigidly attached load mass is accelerated or decelerated, its inertia induces bending moments on the carrier. Careful attention to how the load is decelerated at the end of the stroke is required for extended ac-

tuator performance and application safety. If either load or any of your moments exceed figures indicated in the Moment and Load Capacity table (page B3_8) for the actuator consider:

- 1) Higher capacity bearing style
- 2) A larger actuator size
- 3) Auxiliary carrier
- 4) External guide system

3 CALCULATE LOAD FACTOR LF

For loads with a center of gravity offset from the carrier account for both applied (static) and dynamic loads. The load factor (LF) must not exceed the value of 1.5.

$$L_f = \frac{M_x}{M_{x_{max}}} + \frac{M_y}{M_{y_{max}}} + \frac{M_z}{M_{z_{max}}} + \frac{F_y}{F_{y_{max}}} + \frac{F_z}{F_{z_{max}}} \leq 1.5$$

If L_f does exceed the value of 1.5, consider the four choices listed in step #2.

4 ESTABLISH YOUR MOTION PROFILE AND CALCULATE ACCELERATION RATE

Using the application stroke length and maximum carrier velocity (or time to complete the linear motion), establish the motion profile. Select either triangular (accel-decel) or trapezoidal (accel-constant speed-decel) profile. Now calculate the maximum acceleration and deceleration rates of the move.

For the B3S Acceleration/deceleration should not exceed critical speed (page B3_13) for the screw/nut combination chosen. **For the B3W** acceleration/deceleration should not exceed 1200 in/sec² (30.48 m/sec²). Also, do not exceed safe rates of dynamic inertia moments determined in step #3.

5 SELECT THE LEAD SCREW (B3S ONLY)

Based on the application requirements for accuracy, backlash, quiet operation, life, etc. select the appropriate lead screw type (Acme screw with a solid nut or ball screw with a standard or anti-backlash nut) and the pitch (lead). For additional information on screw selection, consult "Which Screw? Picking the Right Technology" (#9900-4644) available at www.tolomatic.com.

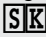
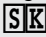
6 SELECT MOTOR (GEARHEAD IF NECESSARY) AND DRIVE

To help select a motor and drive, use the sizing equations located in the Engineering Resources section [ENGR_] of the Tolomatic Electric Products Catalog (#3600-4609) to calculate the application thrust and torque requirements. Refer to Motor sections to determine the motor and drive.

7 DETERMINE TUBE SUPPORT/ MOUNTING PLATE/ T-NUT REQUIREMENTS

- Consult the Tube Support Requirements graph for the model selected (page B3_9)
- Cross reference the application load and maximum distance between supports
- Select the appropriate number of tube supports, T-nuts or mounting plates and requirements for motor and adapter clearance.

8 CONSIDER OPTIONS

- Choose metric or inch (US Conventional) load mounting. (When ordering use  for inch or  for metric)
- Switches - Reed, Solid State PNP or NPN, all available normally open or normally closed

Use the Tolomatic Sizing & Selection Software or call Tolomatic at 1-800-328-2174



sizeit.tolomatic.com
for fast, accurate
actuator selection



tolomatic.com/ask
Technical support
before and after
purchase

B3S Electric Screw Drive Rodless Actuators



ORDERING

BASE MODEL

B3S 20 D BNL02 SK36 LMI

OPTIONS

DC18 TS2 BM2 TN8

MODEL TYPE

B3S B3S Screw Drive Rodless Actuator

SIZE

10, 15, 20

DUAL 180° CARRIER

D Dual 180° Carrier

NUT/SCREW CONFIGURATION

INCH MODELS (US Conventional)	METRIC MODELS†
SOLID NUT / PITCH (turn/in)	SOLID NUT / LEAD (mm/turn)
∅SN01	∅SN25
∅SN02, SNA02	∅SN12
SN05	
∅SN (Solid Nut) not available for 20 Size	
BALL NUT / PITCH (turn/in)	BALL NUT / LEAD (turn/in)
BN02, BNL02	BNM10
BN05, BNL05	BN05, BNL05
BN08, BNL08	BN08, BNL08

† The metric version provides metric tapped holes for mounting of the load to the carrier and of the actuator to mounting surfaces

STROKE LENGTH & MOUNTING TYPE

SK _____ Stroke, enter desired stroke length in **inches**

SM† _____ Stroke, enter desired stroke length in **millimeters**

NOTE: Actuator mounting threads and mounting fasteners will be either inch or metric; depending on how stroke length is indicated

SK=inch mounting

SM= metric mounting

MOTOR MOUNTING / REDUCTIONS

(must choose one)

LMI In-Line mounting

LME23 Ext. shaft for RP & 23 frame motor

LME34 Ext. shaft for RP & 34 frame motor

***LMX** Extended shaft - old style (see note)

***For replacement actuators with extended motor shafts purchased prior to 6/24/02, use the LMX configuration code.**

A motor size and code must be selected when specifying a reverse-parallel mounting configuration.

RPL1 1:1 Reverse-Parallel mount left

RPR1 1:1 Reverse-Parallel mount right

RPB1 1:1 Reverse-Parallel mount bottom

RPT1 1:1 Reverse-Parallel mount top

RPL2 2:1 Reverse-Parallel mount left

RPR2 2:1 Reverse-Parallel mount right

RPB2 2:1 Reverse-Parallel mount bottom

RPT2 2:1 Reverse-Parallel mount top

AUXILIARY CARRIER

DC _____ Auxiliary Carrier, then center-to-center spacing desired in inches (**SK**) or millimeters (**SM**).

(Same unit of measure as stroke length is required)
Center-to-center spacing between carriers adds to overall length of the actuator, this distance will not be subtracted from stroke length specified in the previous step.

SUPPORTS AND MOUNTING PLATES

(both may be selected)

TS _____ Tube Supports plus quantity desired

****MP** _____ Mounting Plates plus quantity desired

****Mounting plates are not available on B3SD Dual 180° models.**

SWITCHES

(Quantity desired follows product code)

RM _____ Reed Switch (Form A) with 5-meter lead/QD (Quick-disconnect)

RT _____ Reed Switch (Form A) with 5-m lead

BM _____ Reed Switch (Form C) with 5-meter lead/QD

BT _____ Reed Switch (Form C) with 5-m lead

KM _____ Hall-effect Sinking Switch with 5-meter lead/QD

KT _____ Hall-effect Sinking Switch w/ 5-m lead

TM _____ Hall-effect Sourcing Switch with 5-meter lead/QD

TT _____ Hall-effect Sourcing Switch with 5-meter lead

CM _____ TRIAC Switch with 5-meter lead/QD

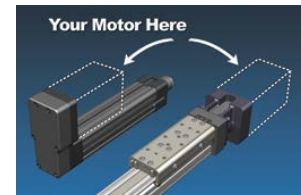
CT _____ TRIAC Switch with 5-meter lead

T-NUTS

TN _____ Additional T-Nuts and quantity

FOOD GRADE LUBRICATION

LUB _____ Grease, Food/Drug



"YOUR MOTOR HERE." MADE-TO-ORDER MOTOR MOUNTS. FAST DELIVERY.

• Select a high-performance Tolomatic electric actuator and we'll provide a motor-specific interface for your motor. With our online database, you can select from over 60 motor manufacturers and hundreds of models.

Visit www.tolomatic.com/ymh to find your motor/actuator match!

! Not all codes listed are compatible with all options.

Use Tolomatic Sizing Software to determine available options and accessories based on your application requirements.

FIELD RETROFIT KITS							
ITEM	B3S10_SM	B3S15_SM	B3S20_SM	B3S10_SK	B3S15_SK	B3S20_SK	
Tube Supports	4410-9006	4415-9006	4420-9006	3410-9006	3415-9006	3420-9006	
Tube Supports (B3SD Dual 180° models)	4410-9026	4415-9026	4420-9026	3410-9026	3415-9026	3420-9026	
1/2" Mounting Plates	4410-9030	4415-9030	4420-9030	3410-9142	3415-9056	3420-9056	
1" Mounting Plates	4410-9031	4415-9031	—	3410-9057	3415-9057	—	

B3W Electric Belt Drive Rodless Actuators



ORDERING

BASE MODEL

B3W20DBWS40SK56SDTR

OPTIONS

DC18TS2BM2TN16

MODEL TYPE
B3W B3W Series Belt Drive

SIZE
10, 15, 20

DUAL 180° CARRIER
D Dual 180° Carrier

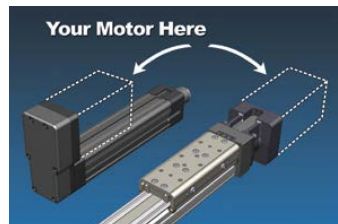
BELT MATERIAL AND WIDTH
BWS18 18mm Polyurethane Steel belt (B3W10)
BWS30 30mm Polyurethane Steel belt (B3W15)
BWS40 40mm Polyurethane Steel belt (B3W20)

STROKE LENGTH & MOUNTING TYPE
SK _____ Stroke, enter desired stroke length in **inches**
SM† _____ Stroke, enter desired stroke length in **millimeters**
NOTE: Actuator mounting threads and mounting fasteners will be either inch or metric; depending on how stroke length is indicated
SK=inch mounting
SM= metric mounting

† The metric version provides metric tapped holes for mounting of the load to the carrier and of the actuator to mounting surfaces

MOTOR MOUNTING / REDUCTIONS
(must choose one)
SDL, SDLB* Direct Drive on left
SDR, SDRB* Direct Drive on right
⚠ A motor size and code must be selected when specifying a 3:1 reduction.
SDTL, SDTLB* 3:1 Reduction on top left
SDTR, SDTRB* 3:1 Reduction on top right
SDBL, SDBLB* 3:1 Reduction on bottom left
SDBR, SDBRB* 3:1 Reduction on bottom right
* For Dual Stub Shaft option

AUXILIARY CARRIER
DC_ _Auxiliary Carrier, then center-to-center spacing desired in inches (SK) or millimeters (SM).
(Same unit of measure as stroke length is required)
Center-to-center spacing between carriers adds to overall length of the actuator, this distance will not be subtracted from stroke length specified in the previous step.



"YOUR MOTOR HERE." MADE-TO-ORDER MOTOR MOUNTS. FAST DELIVERY.
• Select a high-performance Tolomatic electric actuator and we'll provide a motor-specific interface for your motor. With our online database, you can select from over 60 motor manufacturers and hundreds of models.

Visit www.tolomatic.com/yhm to find your motor/actuator match!

SUPPORTS AND MOUNTING PLATES
(both may be selected)
TS_ Tube Supports, enter quantity desired
MP_ Mounting Plates, enter quantity desired

SWITCHES				
CODE	TYPE	QUICK-DISCONNECT	LEAD LENGTH	QUANTITY
RM	REED	Form A	QD	5 meters After code enter quantity desired
RT		Form C	no	
BM			QD	
BT	HALL-EFFECT	Sinking	no	
KM		Sourcing	QD	
KT			no	
TM	TRIAC	Sourcing	QD	
TT			no	
CM	TRIAC	Sourcing	QD	
CT			no	

T-NUTS
TN_ Additional T-Nuts, enter quantity

⚠ Not all codes listed are compatible with all options.
Use Tolomatic Sizing Software to determine available options and accessories based on your application requirements.

FIELD RETROFIT KITS						
ITEM	B3W10_SM	B3W15_SM	B3W20_SM	B3W10_SK	B3W15_SK	B3W20_SK
Tube Supports	4410-9006	4415-9006	4420-9006	3410-9006	3415-9006	3420-9006
Tube Supports (B3WD Dual 180° models)	4410-9170	4415-9170	4420-9170	3410-9170	3415-9170	3420-9170
1/2" Mounting Plates (MRV 23-frame motors)	4410-9030	4415-9030	—	3410-9056	3415-9056	—
1/2" Mounting Plates (MRV all frame motors)	—	—	4420-9030	—	—	3420-9056
1" Mounting Plates (MRV all frame motors)	4410-9031	—	—	3410-9057	—	—
1" Mounting Plates (MRV 34-frame motors)	—	4415-9031	—	—	3415-9057	—

The Tolomatic Difference Expect More From the Industry Leader:



INNOVATIVE PRODUCTS

Solutions with Endurance TechnologySM for challenging applications.



FAST DELIVERY

Built-to-order with configurable stroke lengths and flexible mounting options.



ACTUATOR SIZING

Size and select electric actuators with our online software.



YOUR MOTOR HERE[®]

Match your motor to compatible mounting plates with Tolomatic actuators.



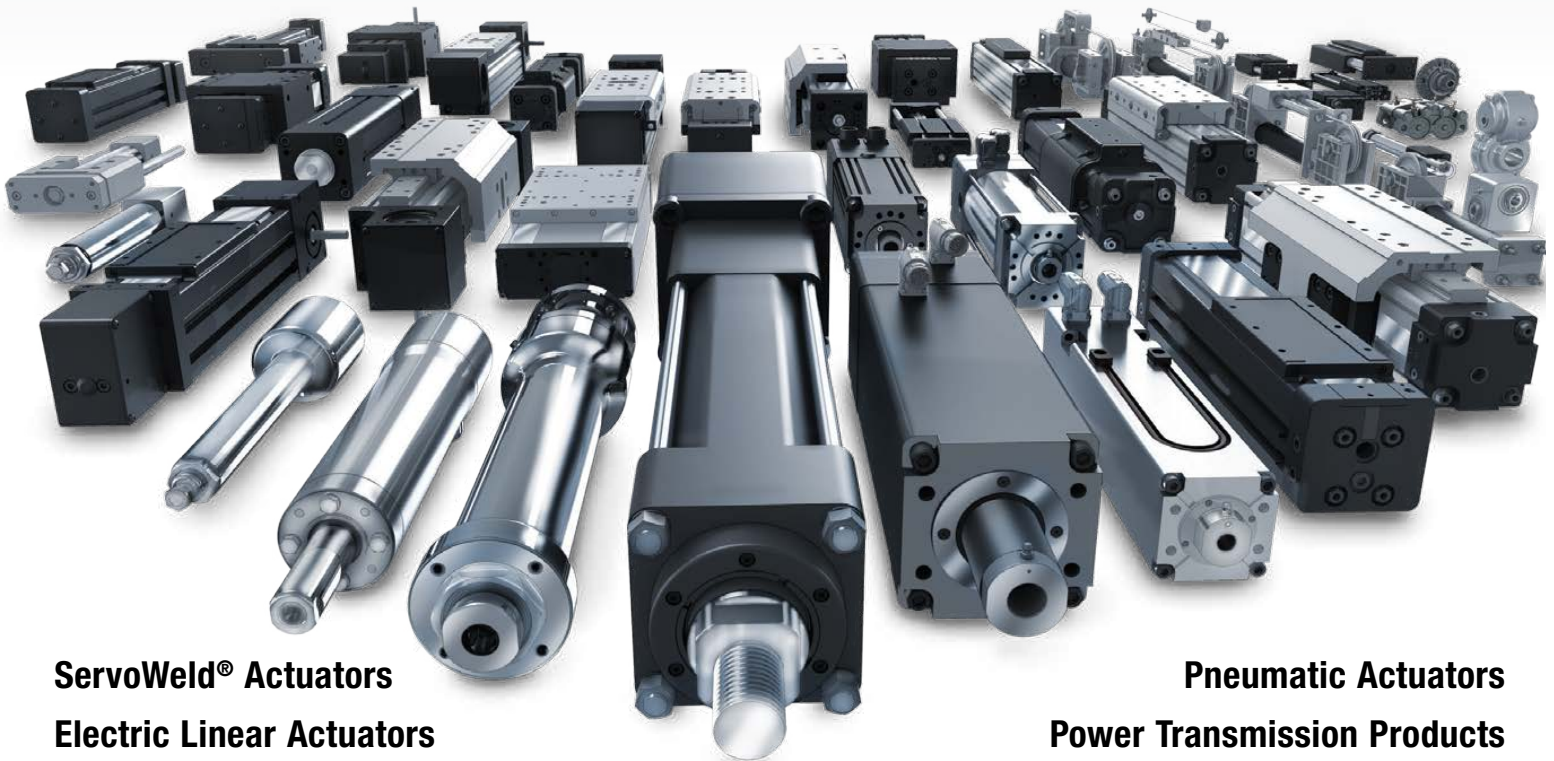
CAD LIBRARY

Download 2D or 3D CAD files for Tolomatic products.



TECHNICAL SUPPORT

Get a question answered or request a virtual design consultation with one of our engineers.



ServoWeld[®] Actuators
Electric Linear Actuators

Pneumatic Actuators
Power Transmission Products



MADE IN U.S.A.

TolomaticTM

EXCELLENCE IN MOTION

COMPANY WITH
QUALITY SYSTEM
CERTIFIED BY DNV
= ISO 9001 =
Certified site: Hamel, MN

USA - Headquarters

Tolomatic Inc.

3800 County Road 116
Hamel, MN 55340, USA
Phone: (763) 478-8000
Toll-Free: **1-800-328-2174**
sales@tolomatic.com
www.tolomatic.com

MEXICO

Centro de Servicio

Parque Tecnológico Innovación
Int. 23, Lateral Estatal 431,
Santiago de Querétaro,
El Marqués, México, C.P. 76246
Phone: +1 (763) 478-8000
help@tolomatic.com

EUROPE

Tolomatic Europe GmbH

Elisabethenstr. 20
65428 Rüsselsheim
Germany
Phone: +49 6142 17604-0
help@tolomatic.eu
www.tolomatic.com/de-de

CHINA

Tolomatic Automation Products (Suzhou) Co. Ltd.

No. 60 Chuangye Street, Building 2
Huqiu District, SND Suzhou
Jiangsu 215011 - P.R. China
Phone: +86 (512) 6750-8506
Tolomatic_China@tolomatic.com

All brand and product names are trademarks or registered trademarks of their respective owners. Information in this document is believed accurate at time of printing. However, Tolomatic assumes no responsibility for its use or for any errors

that may appear in this document. Tolomatic reserves the right to change the design or operation of the equipment described herein and any associated motion products without notice. Information in this document is subject to change without notice.

Visit www.tolomatic.com for the most up-to-date technical information